

Specifications

Model Number: W348

Interactive Water Effect: Shall be ribbon-like solid stream jets spin around the shaft as it is rotated 360°.

Shaft: Straight 4" type 304 stainless steel pipe with a machined type 304 base plate.

Handles: Type 304 stainless steel.

Joint: Delrin®.

Special Theming: Hard foam core with a structural elastomeric polymer outer shell.

Body: Hand-carved hard foam core with a structural elastomeric polymer outer shell.

Anchor Base: Type 304 stainless steel pipe with top plate machined to mate with shaft base plate with grounding connection, base plate, and 2" FPT inlet. Supplied with four 3/8" x 12" x 2" 18/8 stainless steel anchor bolts with two leveling nuts and washers per bolt, and wood template.

Gasket: 70 durometer EPDM o-ring.

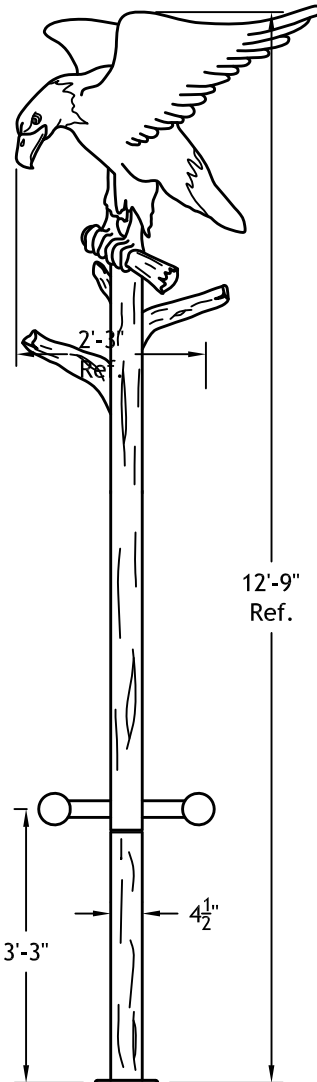
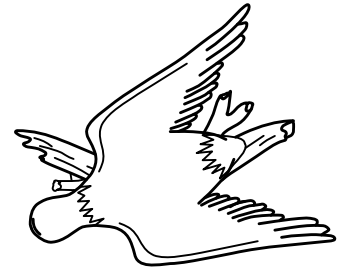
Fasteners: Tamper-resistant 18/8 stainless steel.

Finish: Textured elastomeric urethane with a UV and choline resistant sealer coat.

Nozzle: TBD.

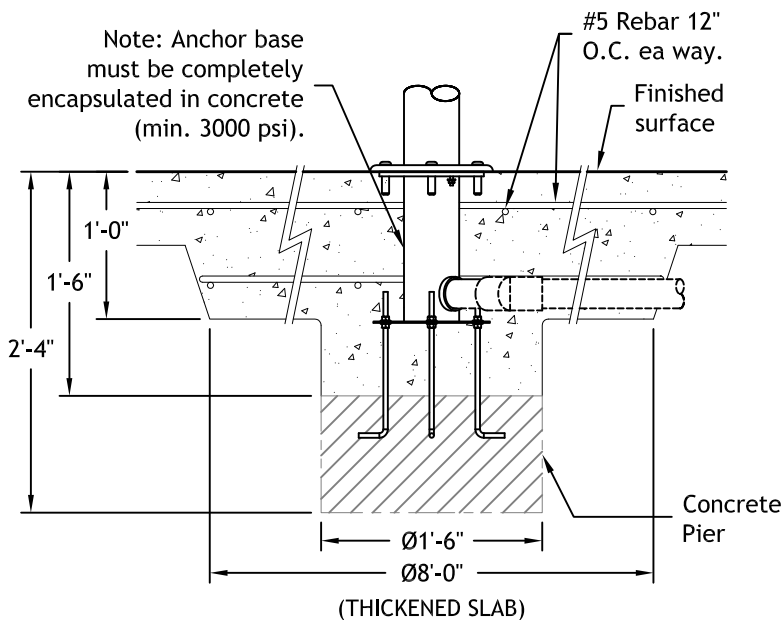
Options:

- Integral Wireless Activator. Add catalog number suffix, -SW



This drawing is diagrammatic in nature. Actual piece may vary in appearance.

Anchor Base



Hydraulic Requirements

W348

Throw	GPM	psi
8'	26	10



Spin N' Prey™