

Specifications

Model Number: W326-3

Interactive Water Effect: Shall be multiple streams nozzle effect.

Shaft: 4" type 304 stainless steel pipe with a triple bend and machined type 304 base plate.

Anchor Base: Type 304 stainless steel machined to mate with shaft base plate with grounding connection and 2" FPT inlet. Supplied with 4, 3/8" x 12" x 2" 18/8 stainless steel anchor bolts with two leveling nuts and washers per bolt and wood pour template.

Gasket: 70 durometer EPDM o-ring.

Fasteners: Tamper-resistant 18/8 stainless steel.

Finish: Textured elastomeric urethane with a UV and chlorine resistant sealer coat.

Color: (Specify red, dark blue, light blue, yellow, green, orange, or purple.)

Nozzles: Machined cast bronze and brass.

Optional Adders:

Wireless Activator Button (-SW)

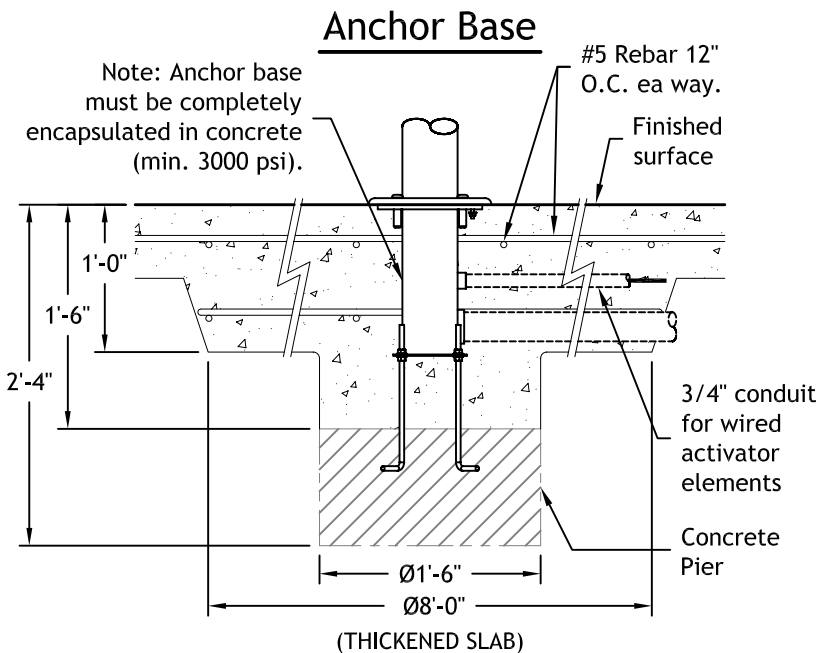
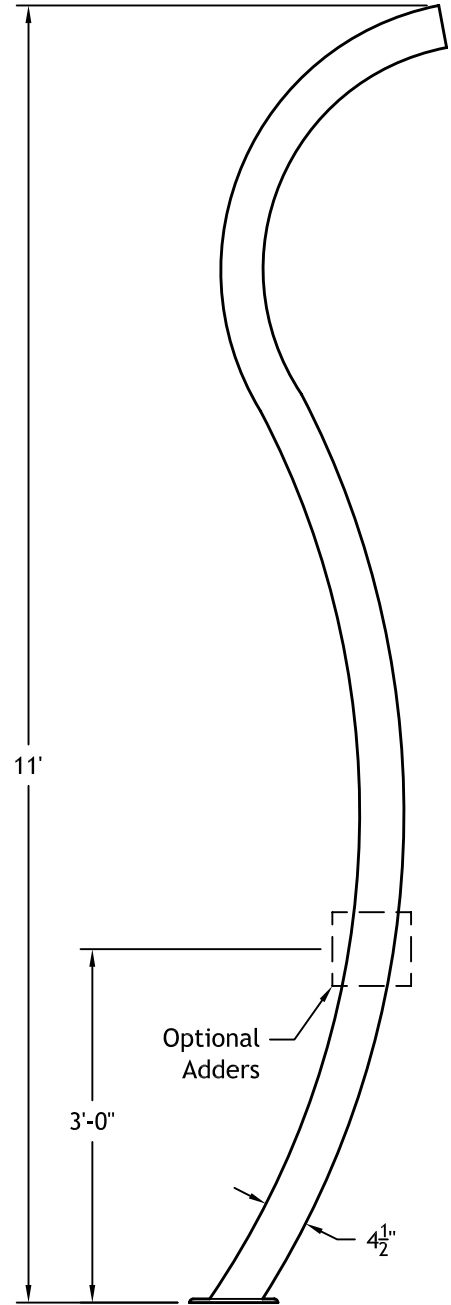
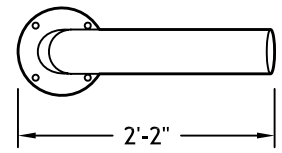
Transmitter: Solid state with encoded signal and integral omni-directional antenna.

Activator Power: 9 VDC alkaline battery.

Wired Activator Button (-ST)

Activator Switch: 12 VDC.

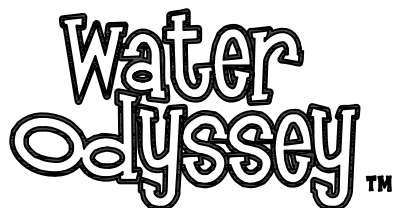
Activator Cord: 150' of #18/2 type STOW, minimum 3/4" conduit recommended.



Hydraulic Requirements

W326-3

GPM	psi
20-40	5-8



Mission Hill Spill