

# Specifications

**Model Number:** W326-2

**Interactive Water Effect:** Shall be a gushing spray effect.

**Shaft:** 4" type 304 stainless steel pipe with a double bend and machined type 304 base plate.

**Anchor Base:** Type 304 stainless steel machined to mate with shaft base plate with grounding connection and 2" FPT inlet. Supplied with 4, 3/8" x 12" x 2" 18/8 stainless steel anchor bolts with two leveling nuts and washers per bolt and wood pour template.

**Gasket:** 70 durometer EPDM o-ring.

**Fasteners:** Tamper-resistant 18/8 stainless steel.

**Finish:** Textured elastomeric urethane with a UV and chlorine resistant sealer coat.

**Color:** (Specify red, dark blue, light blue, yellow, green, orange, or purple.)

**Nozzles:** Machined cast bronze and brass.

**Optional Adders:**

**Wireless Activator Button (-SW)**

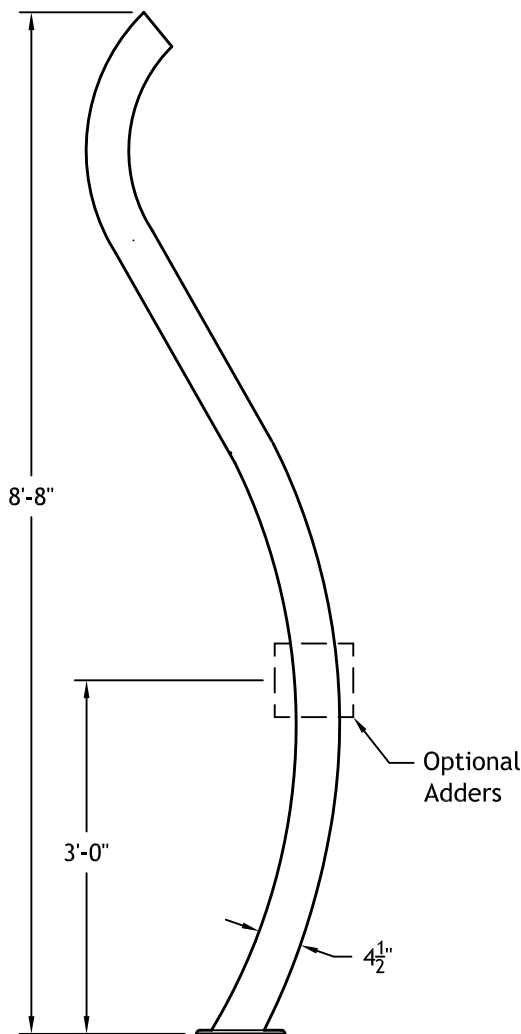
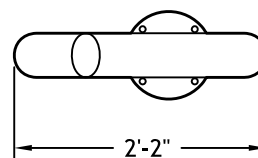
Transmitter: Solid state with encoded signal and integral omni-directional antenna.

Activator Power: 9 VDC alkaline battery.

**Wired Activator Button (-ST)**

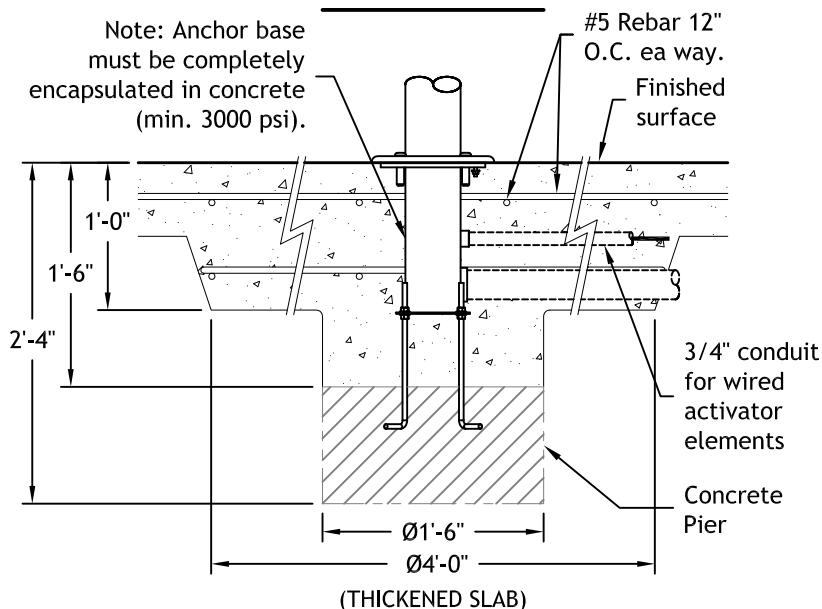
Activator Switch: 12 VDC.

Activator Cord: 150' of #18/2 type STOW, minimum 3/4" conduit recommended.



### Anchor Base

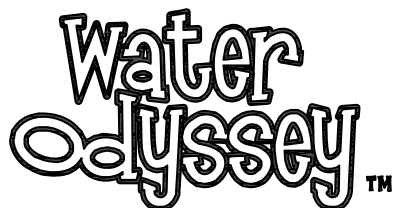
Note: Anchor base must be completely encapsulated in concrete (min. 3000 psi).



### Hydraulic Requirements

**W326-2**

GPM	psi
25-50	5-20



# Mission Hill Shower