

Specifications

Model Number: W326-1

Interactive Water Effect: Shall be a misting nozzle effect.

Shaft: 4" type 304 stainless steel pipe with a double bend and machined type 304 base plate.

Anchor Base: Type 304 stainless steel machined to mate with shaft base plate with grounding connection and 2" FPT inlet. Supplied with 4, 3/8" x 12" x 2" 18/8 stainless steel anchor bolts with two leveling nuts and washers per bolt and wood pour template.

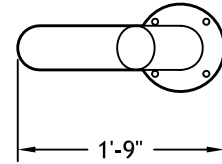
Gasket: 70 durometer EPDM o-ring.

Fasteners: Tamper-resistant 18/8 stainless steel.

Finish: Textured elastomeric urethane with a UV and chlorine resistant sealer coat.

Color: (Specify red, dark blue, light blue, yellow, green, orange, or purple.)

Nozzles: (9) Machined cast bronze and brass.



Optional Adders:

Wireless Activator Button (-SW)

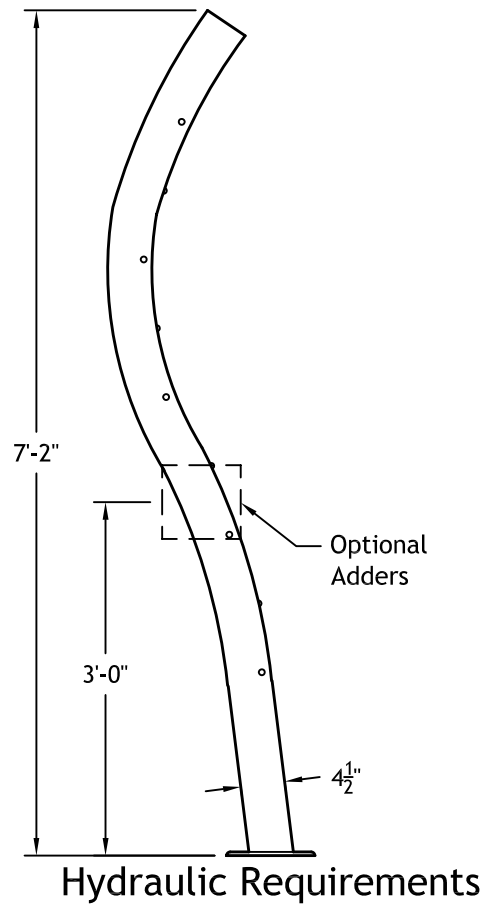
Transmitter: Solid state with encoded signal and integral omni-directional antenna.

Activator Power: 9 VDC alkaline battery.

Wired Activator Button (-ST)

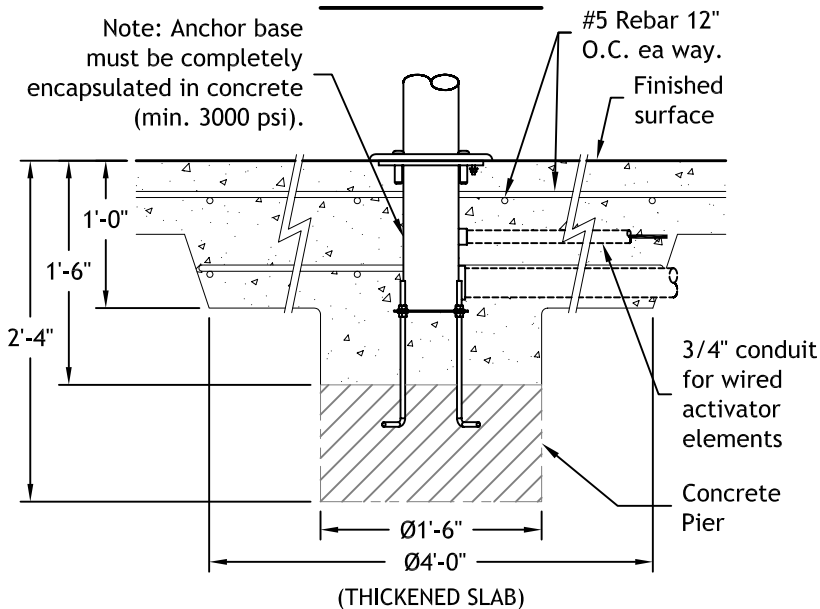
Activator Switch: 12 VDC.

Activator Cord: 150' of #18/2 type STOW, minimum 3/4" conduit recommended.



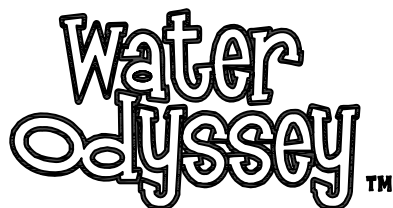
Anchor Base

Note: Anchor base must be completely encapsulated in concrete (min. 3000 psi).



W326-1

GPM	psi
13	20



Mission Hill Mister