

Specifications

Model Number: W322

Interactive Water Effect: Shall be a stream effect.

Shaft: 4" type 304 stainless steel pipe with machined type 304 base plate.

Anchor Base: Type 304 stainless steel machined to mate with shaft base plate with grounding connection and 2" FPT inlet. Supplied with 4, 3/8" x 12" x 2" 18/8 stainless steel anchor bolts with two leveling nuts and washers per bolt and wood pour template.

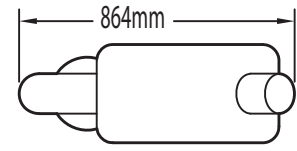
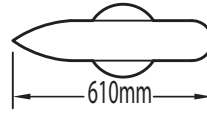
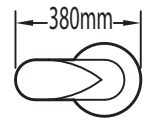
Gasket: 70 durometer EPDM o-ring.

Fasteners: Tamper-resistant 18/8 stainless steel.

Finish: Textured elastomeric urethane with a UV and chlorine resistant sealer coat.

Color: (Themed)

Nozzles: Machined cast bronze and brass.



Streams on Cattail

Hydraulic Requirements

C - Small Leaf

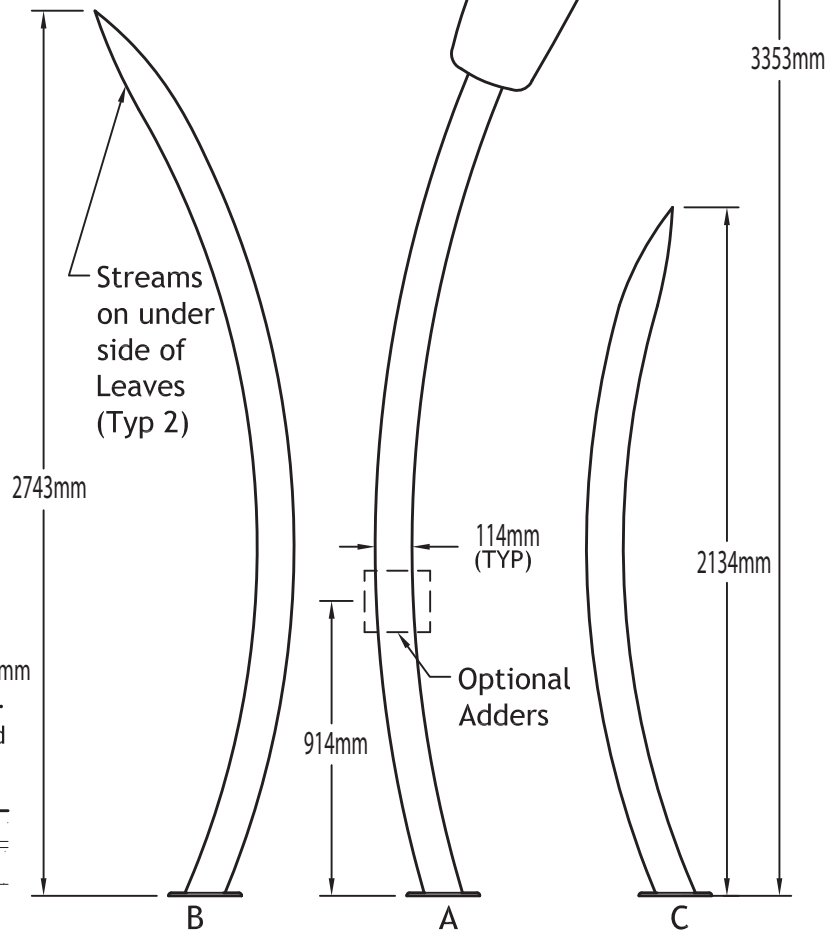
LPM	psi
28	8

B - Medium Leaf

LPM	psi
28	8

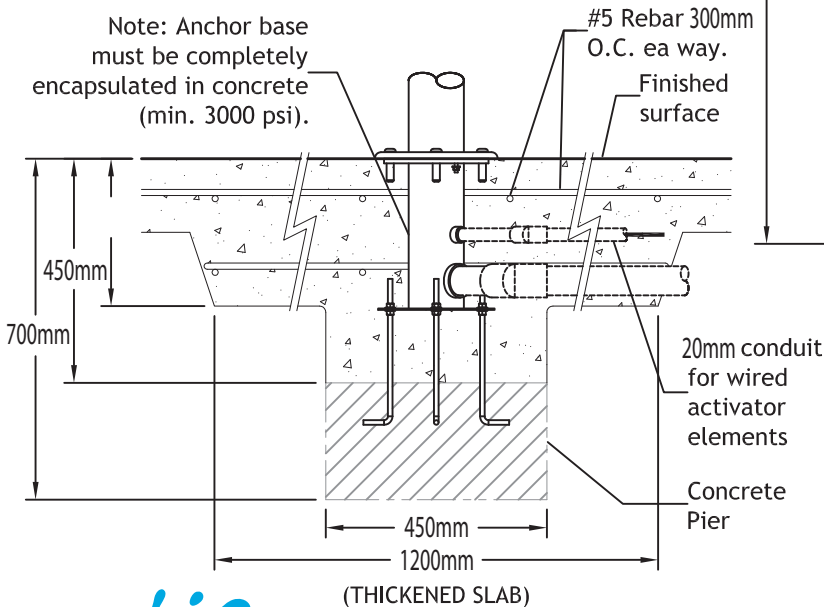
A - Fat Cat - Tall Cattail

LPM	psi
34	8



Anchor Base

Note: Anchor base must be completely encapsulated in concrete (min. 3000 psi).



Optional Adders:

Wireless Activator Button (-SW)

Transmitter: Solid state with encoded signal and integral omni-directional antenna.
 Activator Power: 9 VDC alkaline battery.

Wired Activator Button (-ST)

Activator Switch: 12 VDC.
 Activator Cord: 150' of #18/2 type STOW, minimum 3/4" conduit recommended.



W322 Cattails™