

# Specifications

**Model Number:** W293

**Interactive Water Effect:** A directable spray of water.

**Shaft:** Straight 2" type 304 stainless steel pipe with a machined type 304 base plate.

**Joint:** Precision machined Delrin® flow control joint factory adjustable for 45°-360° directional flow.

**Body:** Type 304 stainless steel manifold housed in a vandal-resistant polymer body.

**Anchor Base:** Type 304 stainless steel pipe with top plate machined to mate with shaft base plate with grounding connection, base plate, and 2" FPT inlet. Supplied with four 3/8" x 12" x 2" 18/8 stainless steel anchor bolts with two leveling nuts and washers per bolt, and wood template.

**Gasket:** 70 durometer EPDM o-ring.

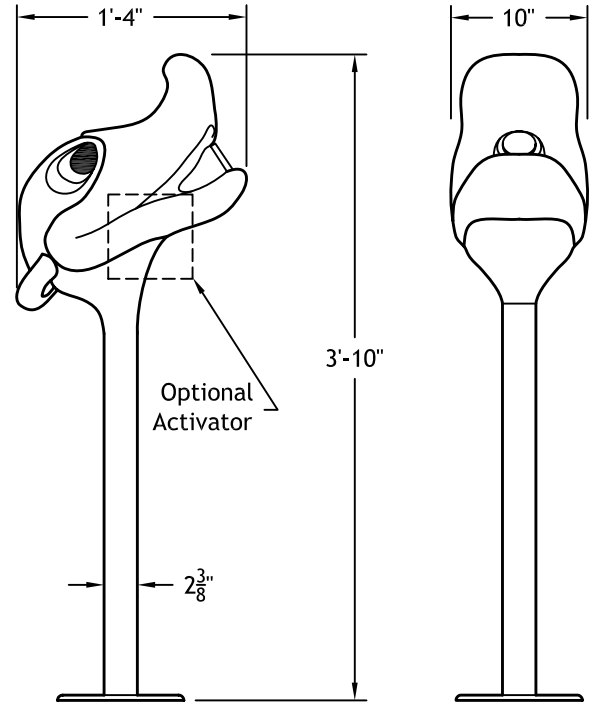
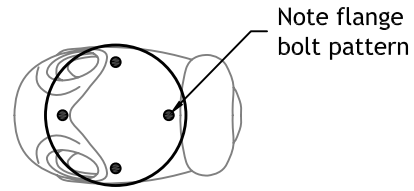
**Fasteners:** Tamper-resistant 18/8 stainless steel.

**Finish:** Textured elastomeric urethane with a UV and chlorine resistant sealer coat.

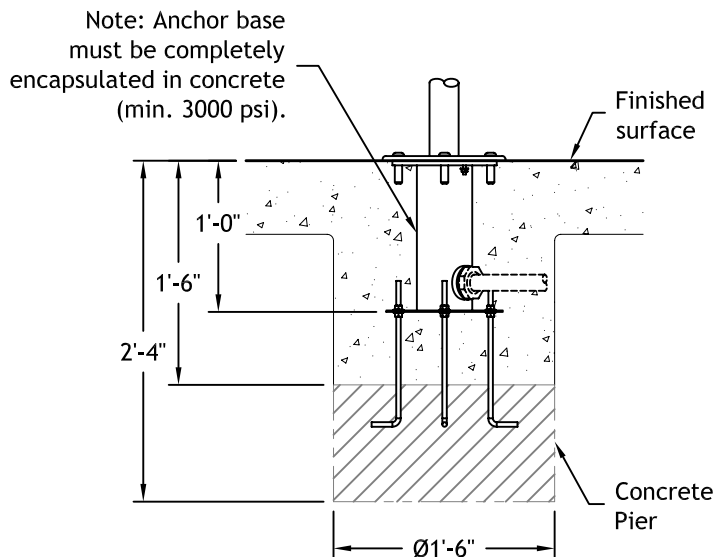
**Nozzle:** Machined brass foam nozzle.

**Options:**

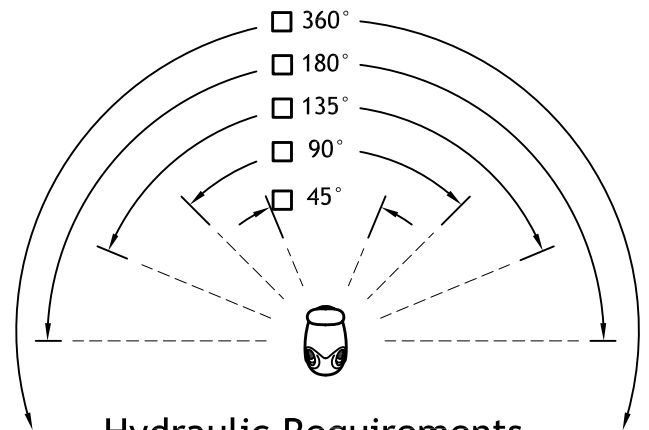
- Integral Wireless Activator. Add Catalog Number Suffix, -SW
- Water Conserving Cluster Nozzle. Add Catalog Number Suffix, -C



## Anchor Base

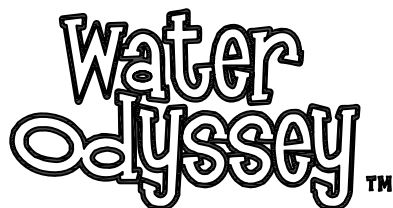


## Splash Zone



## Hydraulic Requirements

|  |       |       |       |
|--|-------|-------|-------|
| <input type="checkbox"/> W293                              | Throw | GPM   | psi   |
|  | 15'   | 12    | 17    |
| <input type="checkbox"/> *W293C - Water Conserving Version | Throw | *CGPM | *Cpsi |
|  | 15'   | 12    | 17    |



# Little Sqwerts™ Duck