

Specifications

Model Number: W290

Interactive Water Effect: A directable spray of water.

Shaft: Straight 2" type 304 stainless steel pipe with a machined type 304 base plate.

Joint: Precision machined Delrin® flow control joint factory adjustable for 45°-360° directional flow.

Body: Type 304 stainless steel manifold housed in a vandal-resistant polymer body.

Anchor Base: Type 304 stainless steel pipe with top plate machined to mate with shaft base plate with grounding connection, base plate, and 2" FPT inlet. Supplied with four 3/8" x 12" x 2" 18/8 stainless steel anchor bolts with two leveling nuts and washers per bolt, and wood template.

Gasket: 70 durometer EPDM o-ring.

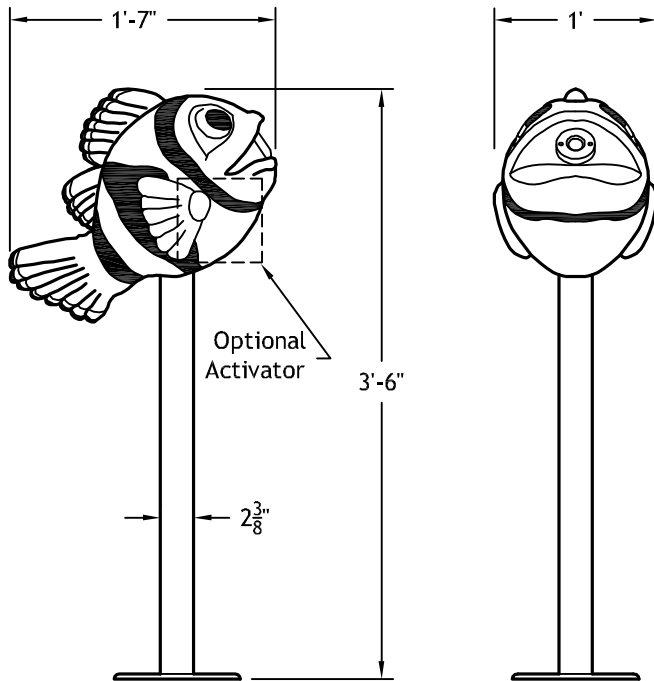
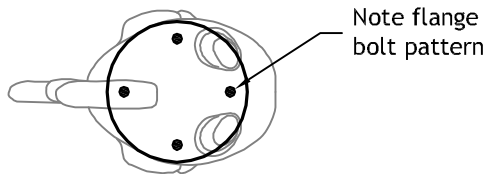
Fasteners: Tamper-resistant 18/8 stainless steel.

Finish: Textured elastomeric urethane with a UV and chlorine resistant sealer coat.

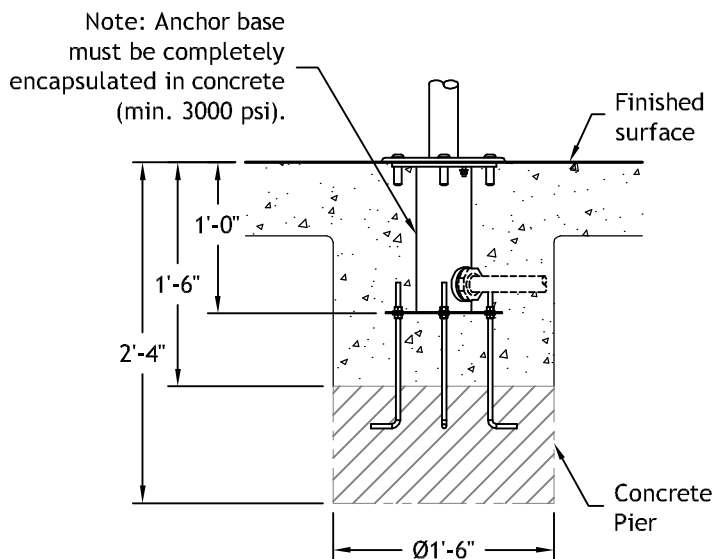
Nozzle: Machined brass foam nozzle.

Options:

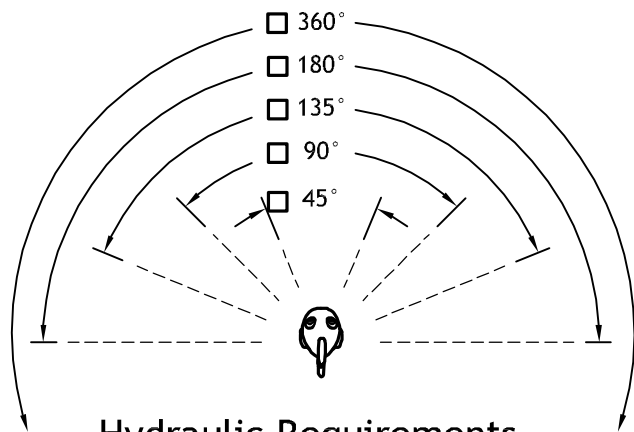
- Integral Wireless Activator. Add catalog number suffix, -SW
- Water Conserving Cluster Nozzle. Add catalog number suffix, -C



Anchor Base



Splash Zone



Hydraulic Requirements

<input type="checkbox"/> W290	Throw	GPM	psi
	15'	12	17
<input type="checkbox"/> *W290C - Water Conserving Version	Throw	*CGPM	*Cpsi
	15'	6	8



Little Sqwerts™ Fish

W290