

Specifications

Model Number: W289

Interactive Water Effect: A directable spray of water.

Shaft: Straight 3" type 304 stainless steel pipe with a machined type 304 base plate.

Joint: Precision machined Delrin® flow control joint factory adjustable for 45°-360° directional flow.

Body: Type 304 stainless steel manifold housed in a vandal-resistant polymer body.

Anchor Base: Type 304 stainless steel pipe with top plate machined to mate with shaft base plate with grounding connection, base plate, and 2" FPT inlet. Supplied with four 3/8" x 12" x 2" 18/8 stainless steel anchor bolts with two leveling nuts and washers per bolt, and wood template.

Gasket: 70 durometer EPDM o-ring.

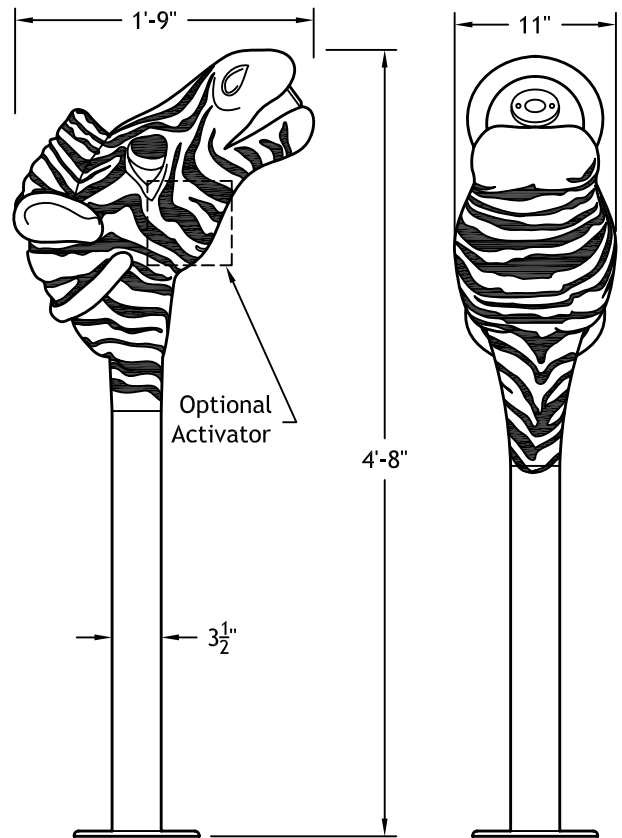
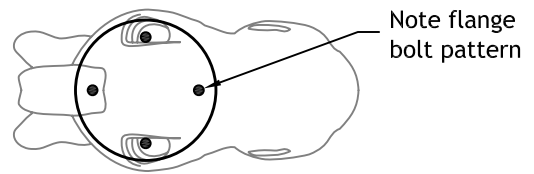
Fasteners: Tamper-resistant 18/8 stainless steel.

Finish: Textured elastomeric urethane with a UV and chlorine resistant sealer coat.

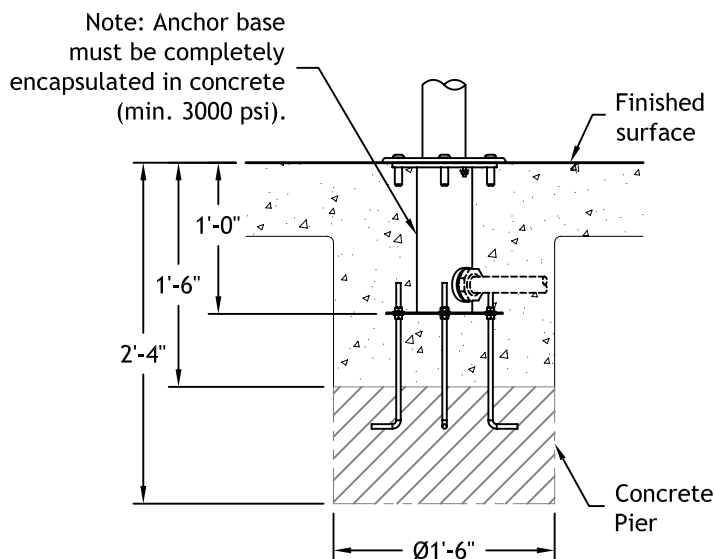
Nozzle: Machined brass foam nozzle.

Options:

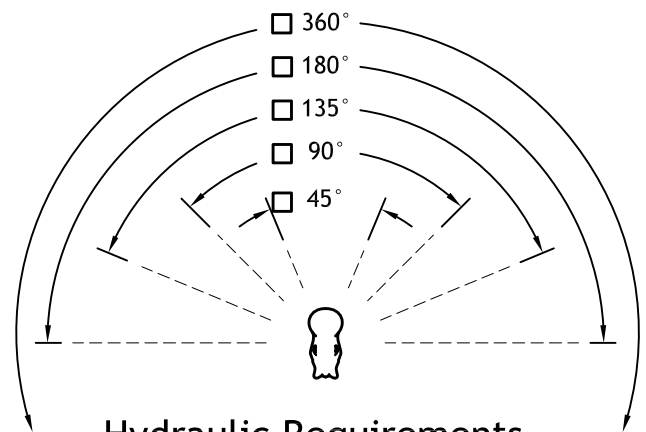
- Integral Wireless Activator. Add catalog number suffix, **-SW**
- Water Conserving Cluster Nozzle. Add catalog number suffix, **-C**



Anchor Base

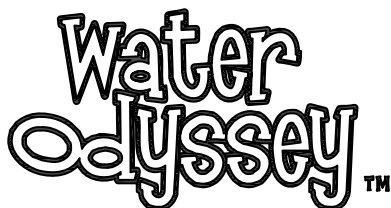


Splash Zone



Hydraulic Requirements

| | | | |
|------------------------------------------------------------|-------|-------|-------|
| <input type="checkbox"/> W289 | Throw | GPM | psi |
| | 20' | 18 | 20 |
| <input type="checkbox"/> *W289C - Water Conserving Version | Throw | *CGPM | *Cpsi |
| | 20' | 12 | 13 |



Big Sqwerts™ Zebra