

Specifications

Model Number: W283

Interactive Water Effect: A directable spray of water.

Shaft: Straight 3" type 304 stainless steel pipe with a machined type 304 base plate.

Joints: Two precision machined Delrin® flow control joint factory adjustable for 45°-360° directional flow. Vertical adjustability is pre-set at 45 degrees.

Body: Type 304 stainless steel manifold housed in a vandal-resistant polymer body.

Anchor Base: Type 304 stainless steel pipe with top plate machined to mate with shaft base plate with grounding connection, base plate, and 2" FPT inlet. Supplied with four 3/8" x 12" x 2" 18/8 stainless steel anchor bolts with two leveling nuts and washers per bolt, and wood template.

Gasket: 70 durometer EPDM o-ring.

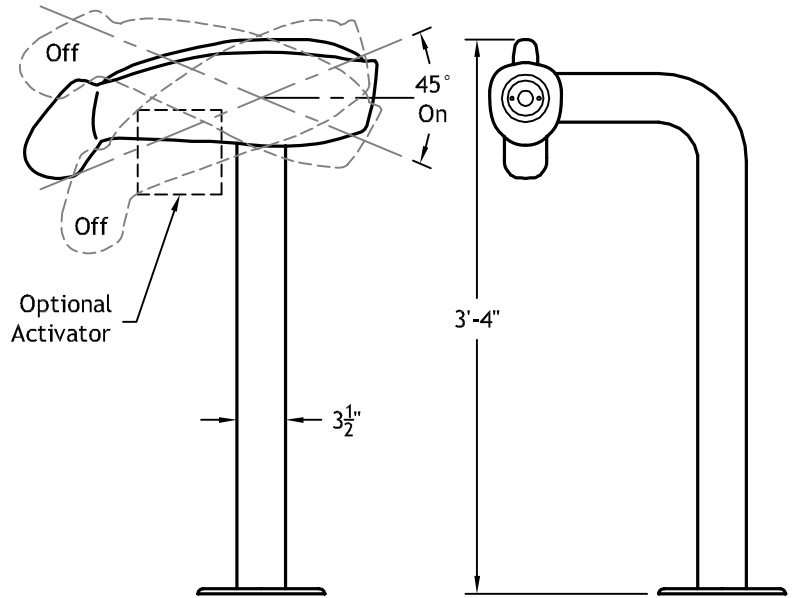
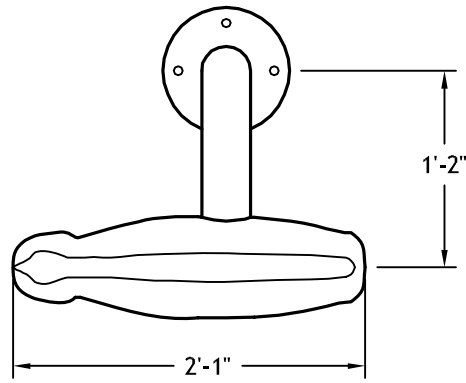
Fasteners: Tamper-resistant 18/8 stainless steel.

Finish: Textured elastomeric urethane with a UV and chlorine resistant sealer coat.

Nozzle: Machined brass foam nozzle.

Options:

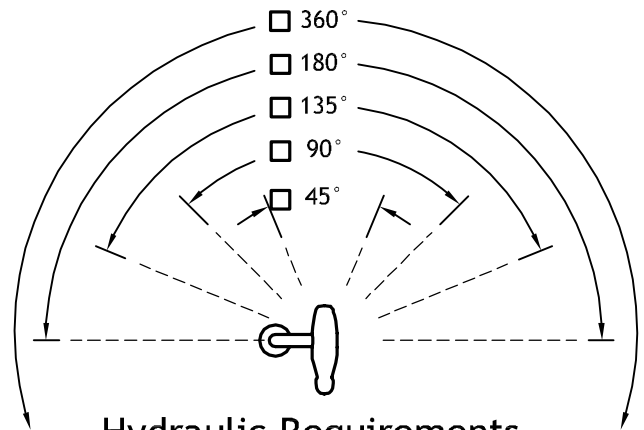
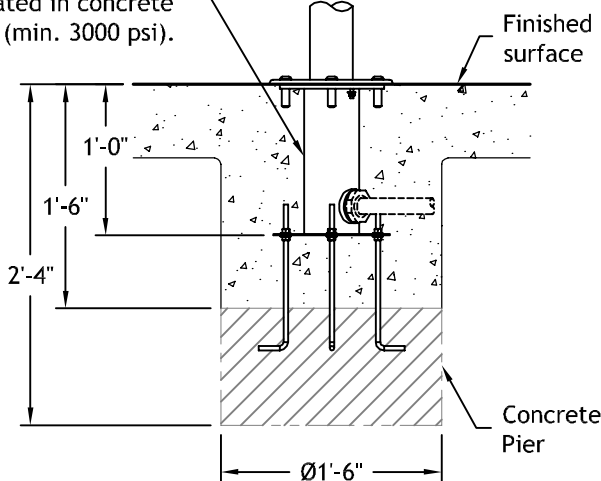
- Integral Wireless Activator. Add catalog number suffix, -SW
- Water Conserving Cluster Nozzle. Add catalog number suffix, -C



Anchor Base

Splash Zone

Note: Anchor base must be completely encapsulated in concrete (min. 3000 psi).



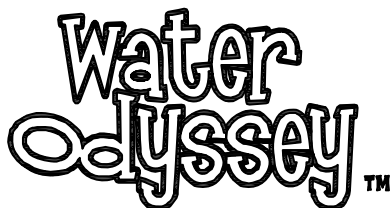
Hydraulic Requirements

W283

Throw	GPM	psi
20'	20	23

*W283C - Water Conserving Version

Throw	*CGPM	*Cpsi
20'	12	16



G2 Shooter™