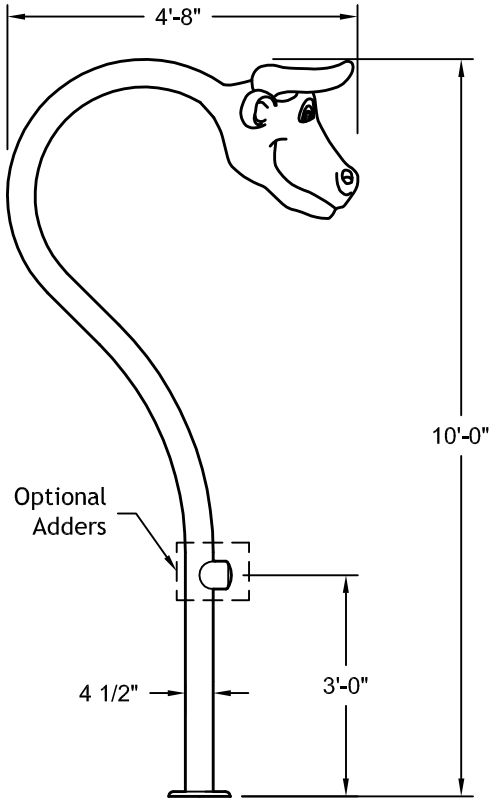
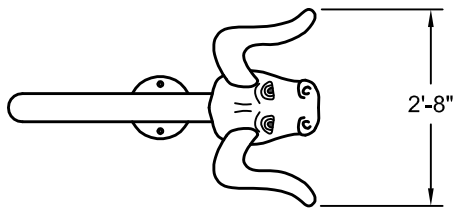
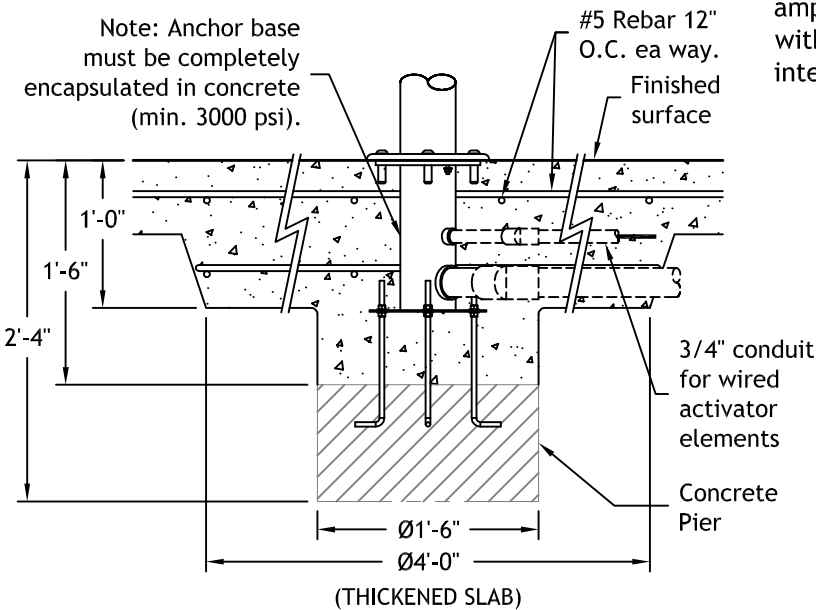


Specifications



Anchor Base

Note: Anchor base must be completely encapsulated in concrete (min. 3000 psi).



Model Number: W244

Interactive Water Effect: Buddy Bovine™ head shall discharge a flat narrow sheet of water.

Body: 4" diameter type 304 stainless steel pipe with machined type 304 base plate.

Head: High density molded foam with a stainless steel frame.

Anchor Base: Type 304 stainless steel machined to mate with shaft base plate with grounding connection and 2" FPT inlet. Supplied with 4, 3/8" x 12" x 2" anchor bolts with two leveling nuts and washers per bolt and wood pour template.

Gaskets: 70 durometer EPDM o-ring.

Concrete Anchors: 18/8 stainless steel with stainless steel tamper-resistant fasteners.

Fasteners: Tamper-resistant 18/8 stainless steel.

Finish: Textured elastomeric urethane with a UV and chlorine resistant sealer coat.

Color: Specify red, dark blue, light blue, yellow, green, orange, or purple with themed head standard.

Nozzle: 1 flat fan nozzle.

Optional Adders:

Wireless Activator Button (-SW)

Transmitter: Solid state with encoded signal and integral omni-directional antenna.

Activator Power: 3 VDC lithium battery (CR2477).

Wired Activator Button (-ST)

Activator Switch: 12 VDC.

Activator Cord: 150' of #18/2 type STOW, minimum 3/4" conduit recommended.

Hand Wheel (-HW): Stainless steel coated with a heavy-duty aliphatic urethane.

Sound: Speakers mounted in head; 40 Watt digital amplification system plays single and sequential sounds with audio stored on compact flash memory card; WDC interface.

Hydraulic Requirements

W244

GPM	psi
3	10



Buddy Bovine™