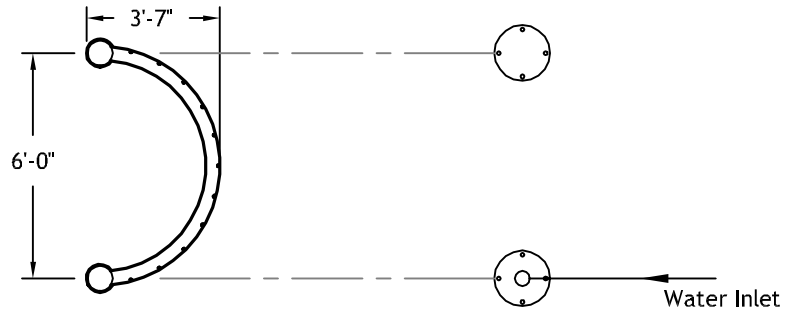


Elevation



Plan

Base Pattern

(Enlarged for Clarity)

Specifications

Model Number: W197

Interactive Water Effect: Shall be a single element array with stern spray manifold.

Shafts: Straight 4" diameter type 304 stainless steel with machined type 304 base plate.

Manifold: One, 4" diameter type 304 stainless steel pipe manifolds with machined type 304 base plate.

Anchor Base: Type 304 stainless steel machined to mate with shaft base plate with grounding connection and 2" FPT inlet. Supplied with 4, 3/8" x 12" x 2" 18/8 stainless steel anchor bolts with two leveling nuts and washers per bolt and wood pour template.

Closed End Bases: One closed end base supplied with 4 stainless steel 4" diameter anchors, 18/8 stainless steel tamper-resistant screws, and a threaded drain plug.

Gasket: 70 durometer EPDM o-ring.

Fasteners: Tamper-resistant 18/8 stainless steel.

Finish: Textured aliphatic urethane with a UV and chlorine resistant sealer coat.

Color: (Specify brown, red, dark blue, light blue, yellow, green, orange, or purple.)

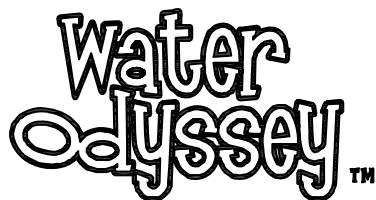
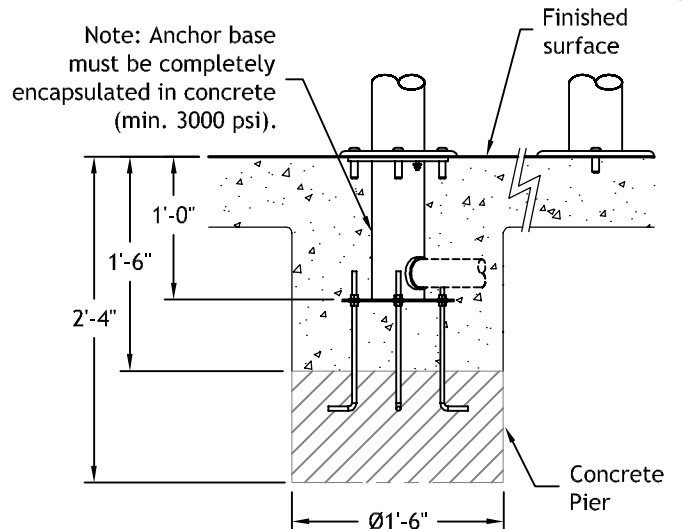
Nozzles: Stainless steel stream nozzles.

Hydraulic Requirements

□ W197

GPM	psi
5	2

Anchor Base



Ship Stern™