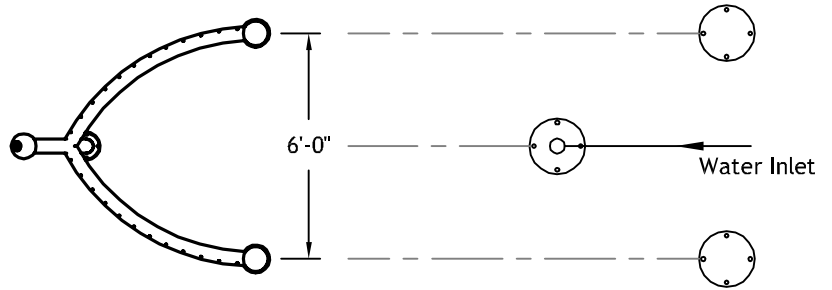


Elevation



Plan

Base Pattern  
(Enlarged for Clarity)

## Specifications

**Model Number:** W196

**Interactive Water Effect:** Shall be a single element array with prow spray manifold.

**Shafts:** Straight 4" diameter type 304 stainless steel with machined type 304 base plate.

**Manifold:** One, 4" diameter type 304 stainless steel pipe manifold with machined type 304 base plate.

**Anchor Base:** Type 304 stainless steel machined to mate with shaft base plate with grounding connection and 2" FPT inlet. Supplied with 4, 3/8" x 12" x 2" 18/8 stainless steel anchor bolts with two leveling nuts and washers per bolt and wood pour template.

**Closed End Bases:** Two closed end bases supplied with 4 stainless steel concrete anchors each, 18/8 stainless steel tamper-resistant screws, and a threaded drain plug.

**Gasket:** 70 durometer EPDM o-ring.

**Fasteners:** Tamper-resistant 18/8 stainless steel.

**Finish:** Textured aliphatic urethane with a UV and chlorine resistant sealer coat.

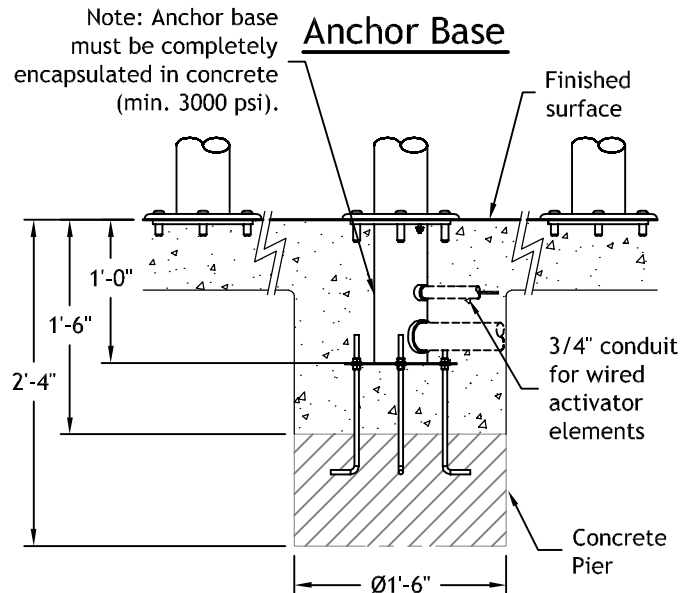
**Color:** (Specify brown, red, dark blue, light blue, yellow, green, orange, or purple.)

**Nozzles:** (1) Brass foam nozzle; stainless steel stream nozzles.

## Hydraulic Requirements

□ W196

GPM	psi
26	15



# Ship Prow™