

*Limitless Possibilities!*  
let your imagination be your guide!



## Tidal Bucket™

W185

**Activity:** The Tidal Bucket™ is our smallest “big splash” effect. When the bucket is full it “burps” and spills its contents from the base of the tank creating a circular sheet of water with a radius of 12’ (allow for “impact splash” beyond this radius). This unit has a dump capacity 25 gallons.

**Options:** Custom theming. Consult your local representative or contact us.

PRODUCT HEIGHT: 3.35m

### LINE 1

FLOW: 5-10 GPM | 19-38 LPM

PRESSURE: 10 PSI | .69 BAR

### LINE 2\*

FLOW: .5 GPM | 1.89 LPM

PRESSURE: 30 PSI | 2.07 BAR

\*City water line to activate dumping action.

Themed



Imagination Play Water Series  
03.9738.1767  
[www.waterplay.com.au](http://www.waterplay.com.au)

## Specifications

**Model Number:** W185

**Interactive Water Effect:** Shall be a timed periodic 360° discharge of the full volume of the Bucket (25 gallons).

**Shaft:** Straight 4" diameter type 304 stainless steel pipe with a machined type 304 base plate and textured elastomeric urethane finish with a UV and chlorine resistant sealer coat.

**Platform and Gussets:** Type 304 stainless steel.

**Bucket:** Heavy-duty FRP (fiber reinforced polyester) with a neoprene base gasket.

**Dome Cover:** Thermoformed acrylic.

**Anchor Base:** Type 304 stainless steel machined to mate with shaft base plate. Unit shall include grounding connection, a 1" FPT inlet and a 2" FPT inlet. Supplied with (4) 3/8" x 12" x 2" 18/8 stainless steel anchor bolts with two leveling nuts and washers per bolt and a wood pour template.

**Base Gaskets:** Two 70 durometer EPDM o-rings (spare set to be supplied).

**Fasteners:** Tamper resistant 18/8 stainless steel.

**Color:** Specify red, dark blue, light blue, yellow, green, orange, purple or themed.

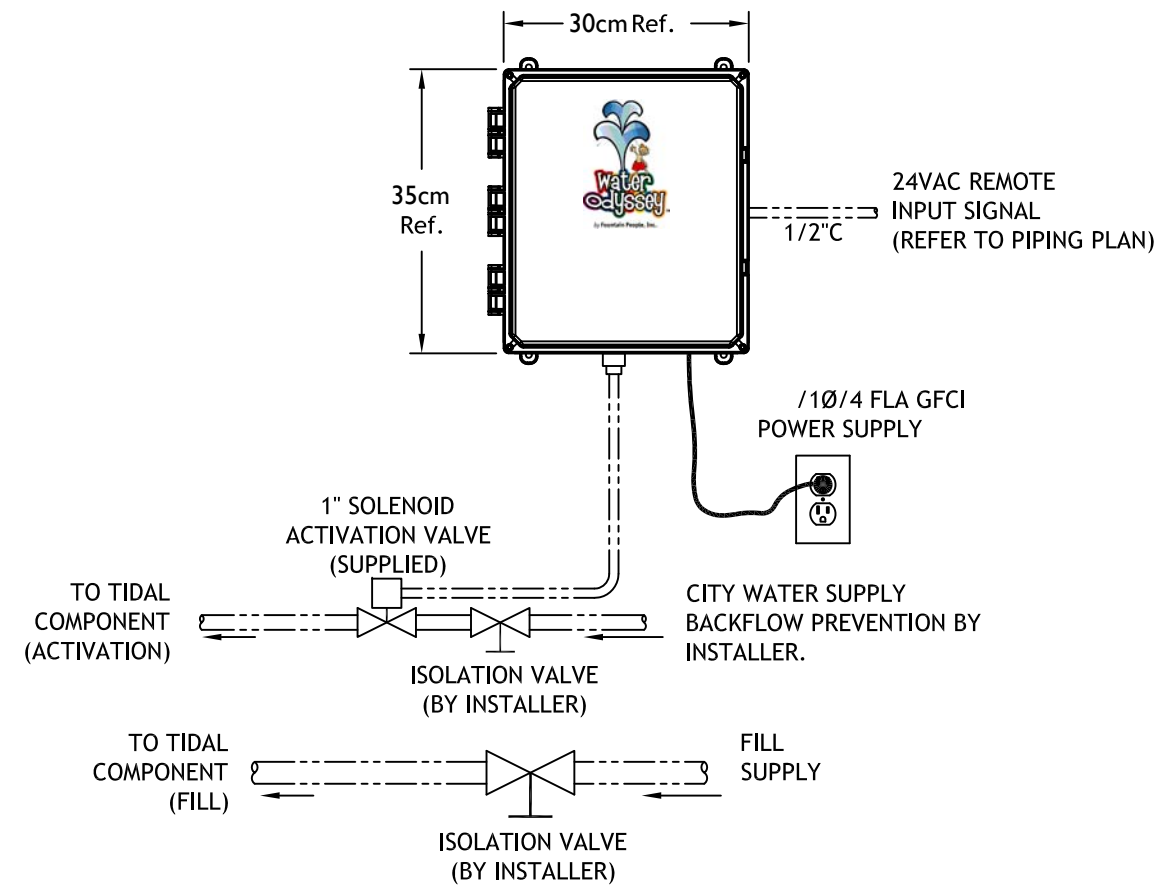
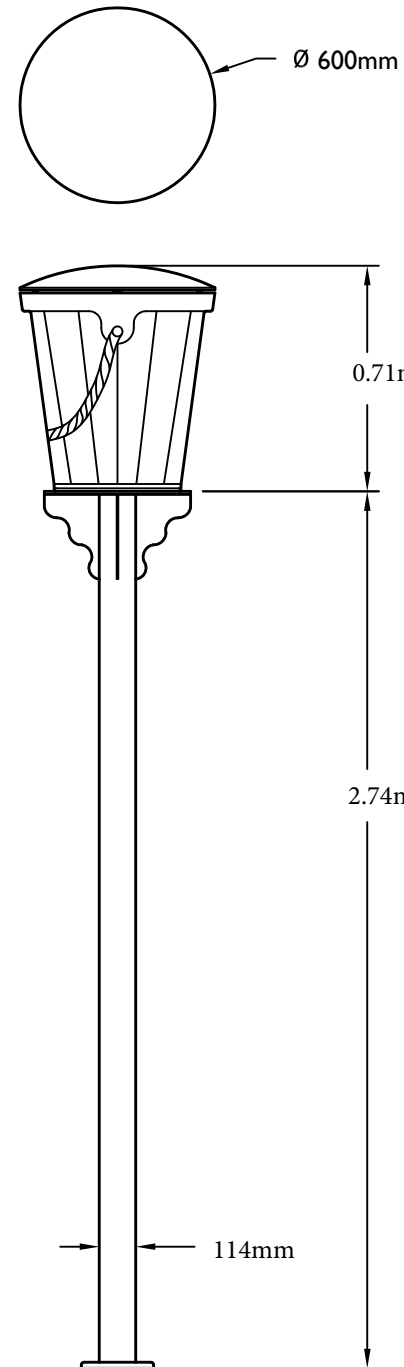
**Controller:** 14" x 12" x 8" NEMA 4X enclosure with time delay relays to activate dump action and fill water line (unit requires external signal from a time clock or Park Controller to initiate daily operating hours). One 3/4", 24VAC cast bronze activation solenoid valve supplied with Controller.

## Hydraulic Requirements

□ W185

	Size	LPM	psi
Fill Supply	1-1/2"	15-38	5
City Water Supply	1"	1.9	30

\* From City Water Supply. Activation action only.



## Foundation Detail

