

# Specifications

**Model Number:** W150

**Interactive Water Effect:** Shall be a water driven wheel regulated by volume of flow.

**Shaft:** 4" type 304 stainless steel pipe with full radius bend and machined type 304 base plate.

**Water Wheel:** Heavy-duty FRP (fiber reinforced polyester).

**Anchor Base:** Type 304 stainless steel machined to mate with shaft base plate with grounding connection and 2" FPT inlet. Supplied with 4, 3/8" x 12" x 2" 18/8 stainless steel anchor bolts with two leveling nuts and washers per bolt and wood pour template.

**Gasket:** 70 durometer EPDM o-ring.

**Fasteners:** Tamper-resistant 18/8 stainless steel.

**Finish:** Textured elastomeric urethane with a UV and chlorine resistant sealer coat.

**Color:** (Specify red, dark blue, light blue, yellow, green, orange, or purple.)

**Optional Adders:**

**Wireless Activator Button (-SW)**

Transmitter: Solid state with encoded signal and integral omni-directional antenna.

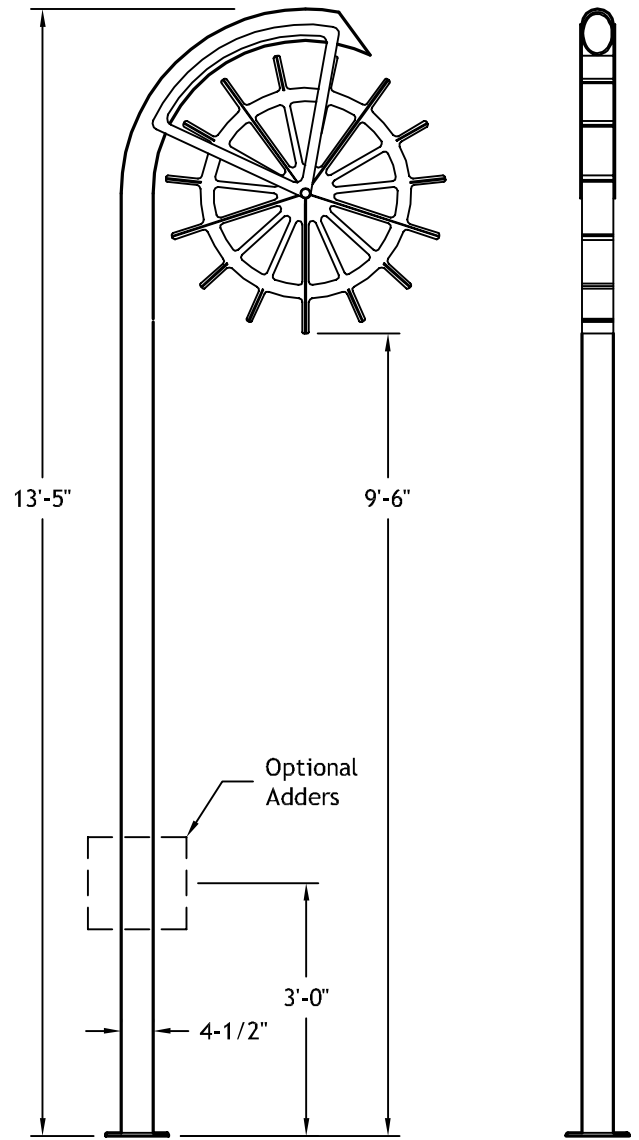
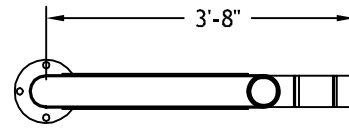
Activator Power: 3 VDC lithium battery (CR2477).

**Wired Activator Button (-ST)**

Activator Switch: 12 VDC.

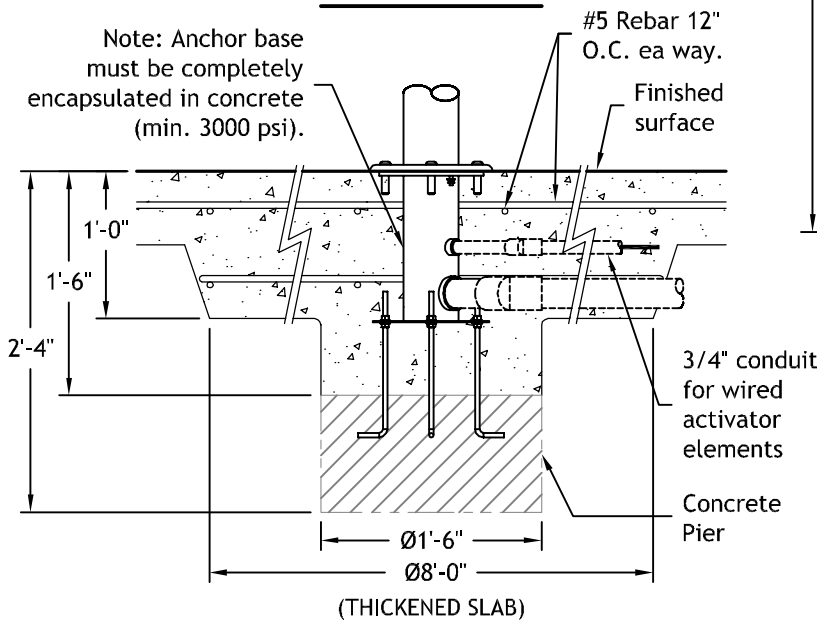
Activator Cord: 150' of #18/2 type STOW, minimum 3/4" conduit recommended.

**Hand Wheel (-HW):** Stainless steel coated with a heavy-duty aliphatic urethane.



**Anchor Base**

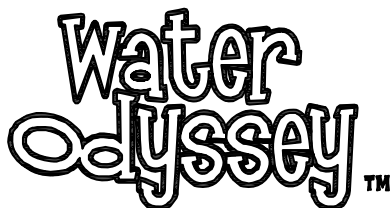
Note: Anchor base must be completely encapsulated in concrete (min. 3000 psi).



**Hydraulic Requirements**

W150

GPM	psi
5-10	6



**Just-A-Wheel™**