

Specifications

Model Number: W148

Interactive Water Effect: Shall be a dump bucket effect regulated by volume of flow.

Shaft: Straight 6" diameter type 304 stainless steel pipe with machined type 304 base plate.

TopMasts: 2", and 1" diameter type 304 stainless steel pipe.

Spars: 2" and 1" diameter type 304 stainless steel pipe.

Buckets: Heavy-duty fiber reinforced polyester (FRP).

Anchor Base: Type 304 stainless steel machined to mate with shaft base plate with grounding connection and 2" FPT inlet. Supplied with 4, 3/8" x 12" x 2" anchor bolts with two leveling nuts and washers per bolt and wood pour template.

Gasket: 70 durometer EPDM o-ring.

Fasteners: Tamper-resistant 18/8 stainless steel.

Finish: Textured elastomeric urethane with a UV and chlorine resistant sealer coat.

Color: (Specify red, dark blue, light blue, yellow, green, orange, or purple.)

Nozzles: 2 stainless steel precision jets.

Sails: PVC coated Textiline Plus.

Optional Adders:

Wireless Activator Button (-SW)

- Transmitter: Solid state with encoded signal and integral omni-directional antenna.

Activator Power: 3 VDC lithium battery (CR2477).

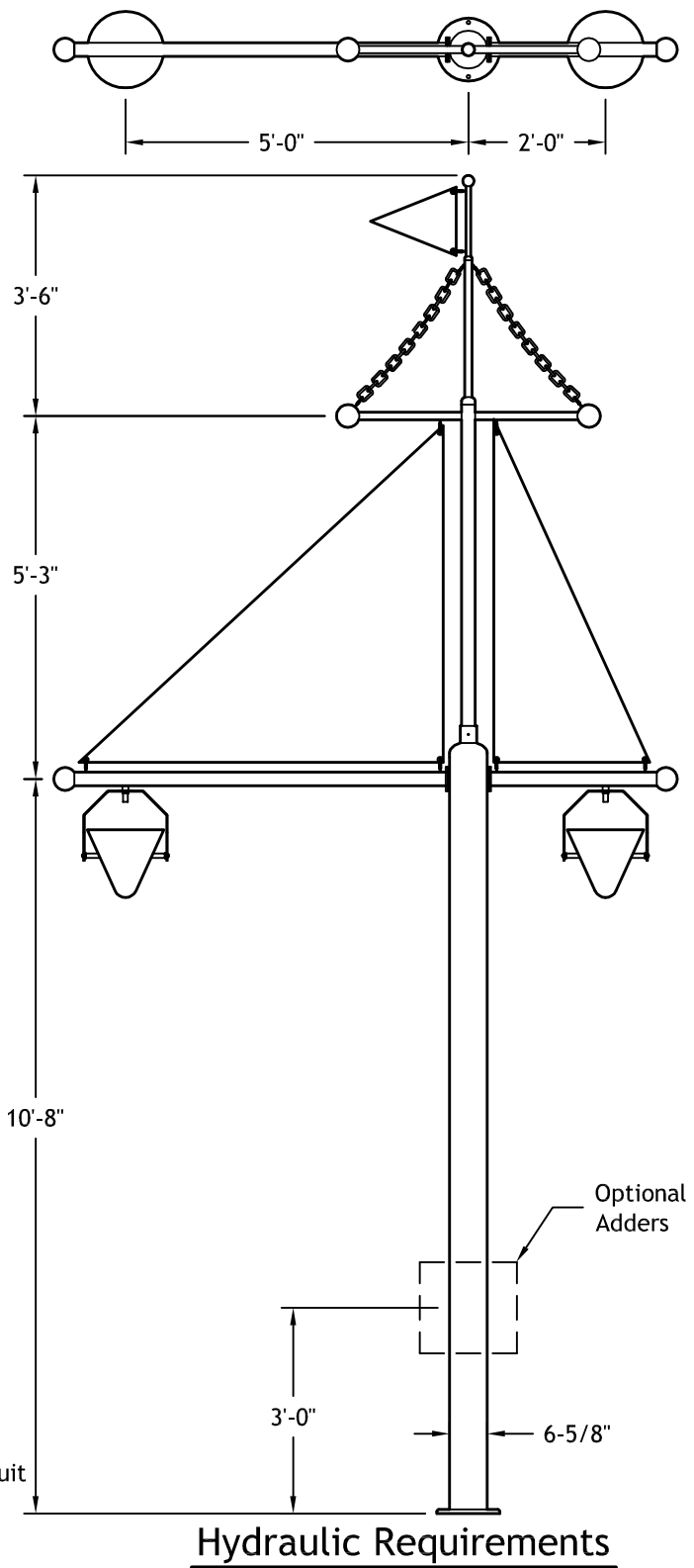
Wired Activator Button (-ST)

- Activator Switch: 12 VDC.

Activator Cord: 150' of #18/2 type STOW, minimum 3/4" conduit recommended.

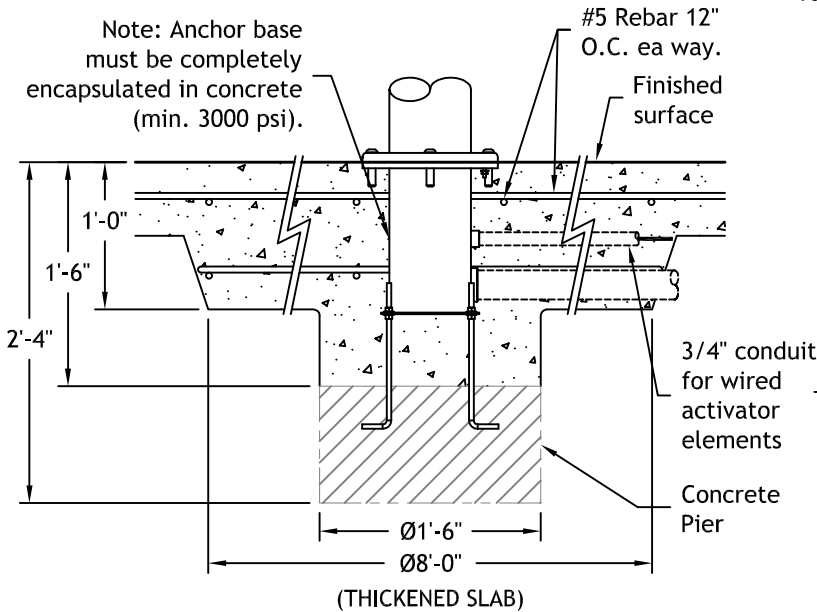
Hand Wheel (-HW): Stainless steel coated with a heavy-duty

- aliphatic urethane.



Anchor Base

Note: Anchor base must be completely encapsulated in concrete (min. 3000 psi).



Schooner Splash™