

## Specifications

**Model Number:** W144

**Interactive Water Effect:** Shall be a timed periodic 360° discharge of the full volume of the Tank (350 gallons).

**Shaft:** Straight 10" diameter type 304 stainless steel pipe with a machined type 304 base plate and textured elastomeric urethane finish with a UV and chlorine resistant sealer coat.

**Platform and Gussets:** Type 304 stainless steel.

**Tank:** Heavy-duty FRP (fiber reinforced polyester) with neoprene base gasket.

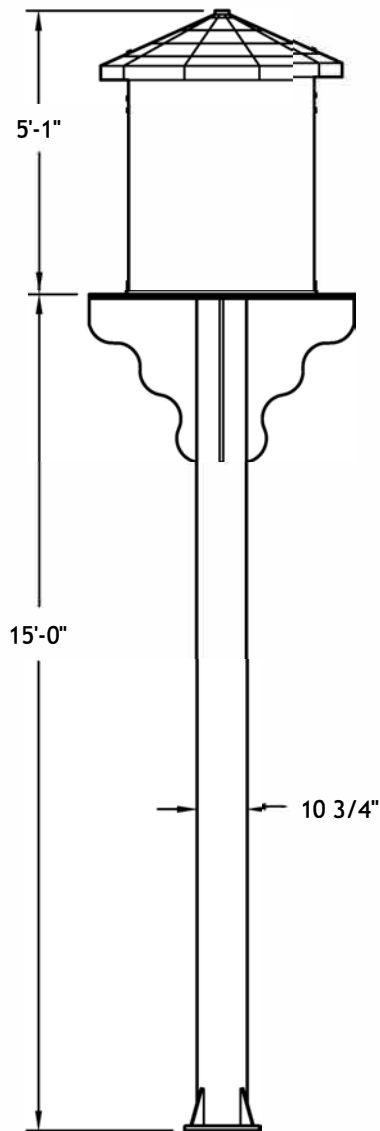
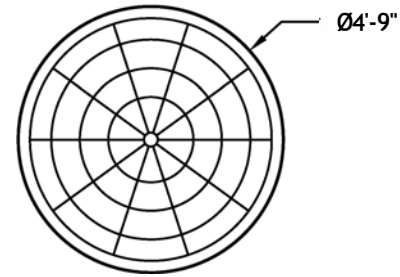
**Anchor Base:** Type 304 stainless steel machined to mate with shaft base plate. Unit shall include grounding connection, a 1" FPT inlet and a 3" FPT inlet. Supplied with (6) 3/4" x 12" x 3" 18/8 stainless steel anchor bolts with two leveling nuts and washers per bolt and a wood pour template.

**Base Gaskets:** Two 70 durometer EPDM o-rings (spare set to be supplied).

**Fasteners:** 18/8 stainless steel.

**Color:** Specify red, dark blue, light blue, yellow, green, orange, purple or themed.

**Controller:** 14" x 12" x 8" NEMA 4X enclosure with time delay relays to activate dump action and fill water line (unit requires external signal from a time clock or Park Controller to initiate daily operating hours). One 1", 24VAC cast bronze activation solenoid valve supplied with Controller.

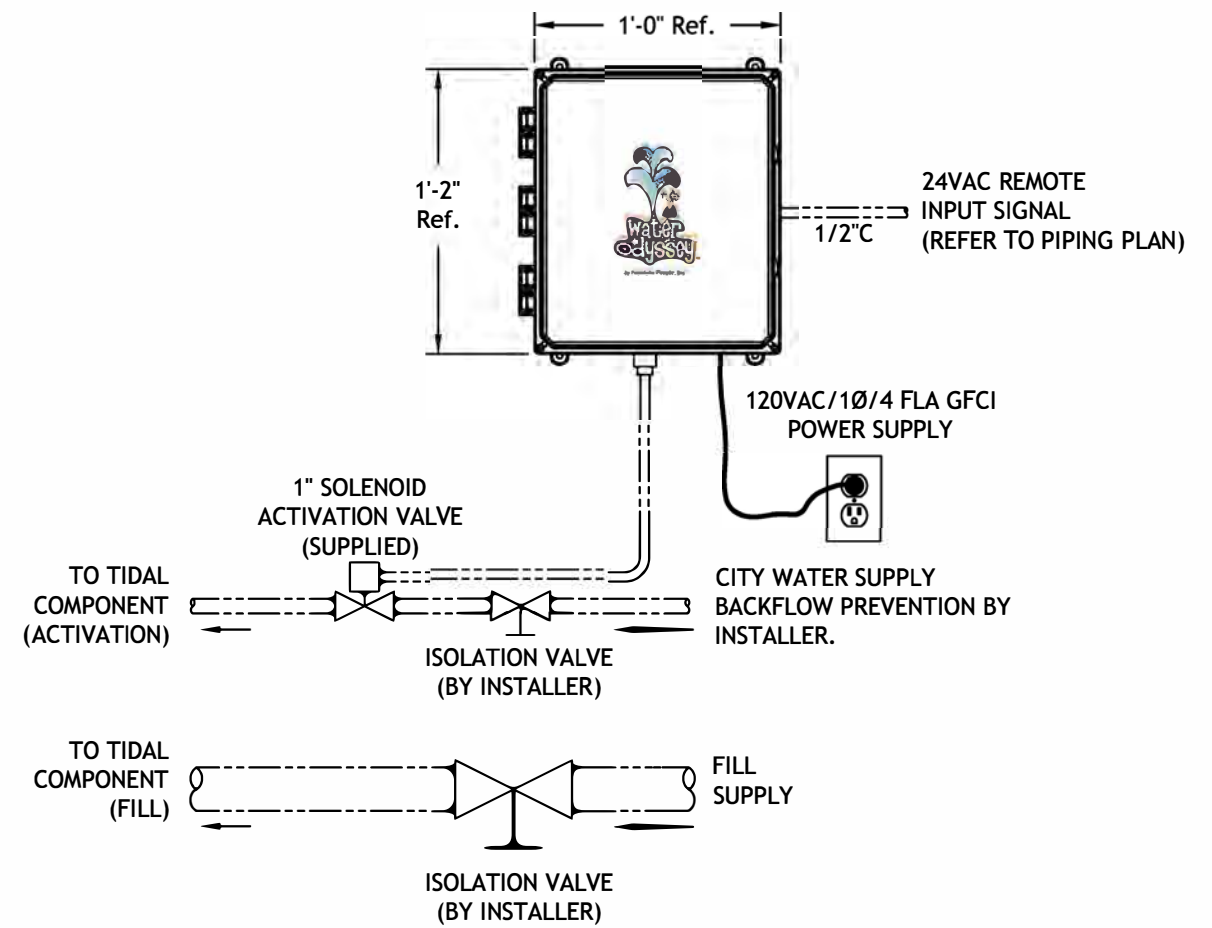


## Hydraulic Requirements

□ W144

|                   | Size | GPM    | psi |                 |
|-------------------|------|--------|-----|-----------------|
| Fill Supply       | 3"   | 50-100 | 10  | (Fills Bucket)  |
| City Water Supply | 1"   | .5     | 30  | (Raises Bucket) |

\* From City Water Supply. Activation action only.



## Foundation Detail

