

Specifications

Model Number: W142

Interactive Water Effect: Shall be a "dumping sail".

Shaft: Straight 6" diameter type 304 stainless steel pipe with machined type 304 base plate.

Anchor Bases: Type 304 stainless steel machined to mate with shaft base plate with grounding connection and 2" FPT inlet. Supplied with 4, 3/8" x 12" x 2" anchor bolts with two leveling nuts and washers per bolt and wood pour template.

Gasket: EPDM O-Ring Type, 70 durometer.

Fasteners: Tamper-resistant 18/8 stainless steel.

Buckets: Heavy-duty FRP construction with delrin® bushings and a 2.3 gallon capacity per bucket

Finish: Textured aliphatic urethane with a UV and chlorine resistant sealer coat.

Color: (Specify red, dark blue, light blue, yellow, green, orange, or purple.)

Nozzles: Stainless steel stream nozzles.

Sails: PVC coated Textiline® Plus

Optional Adders:

- Wireless Activator Button (-SW)**

Transmitter: Solid state with encoded signal and integral omni-directional antenna.

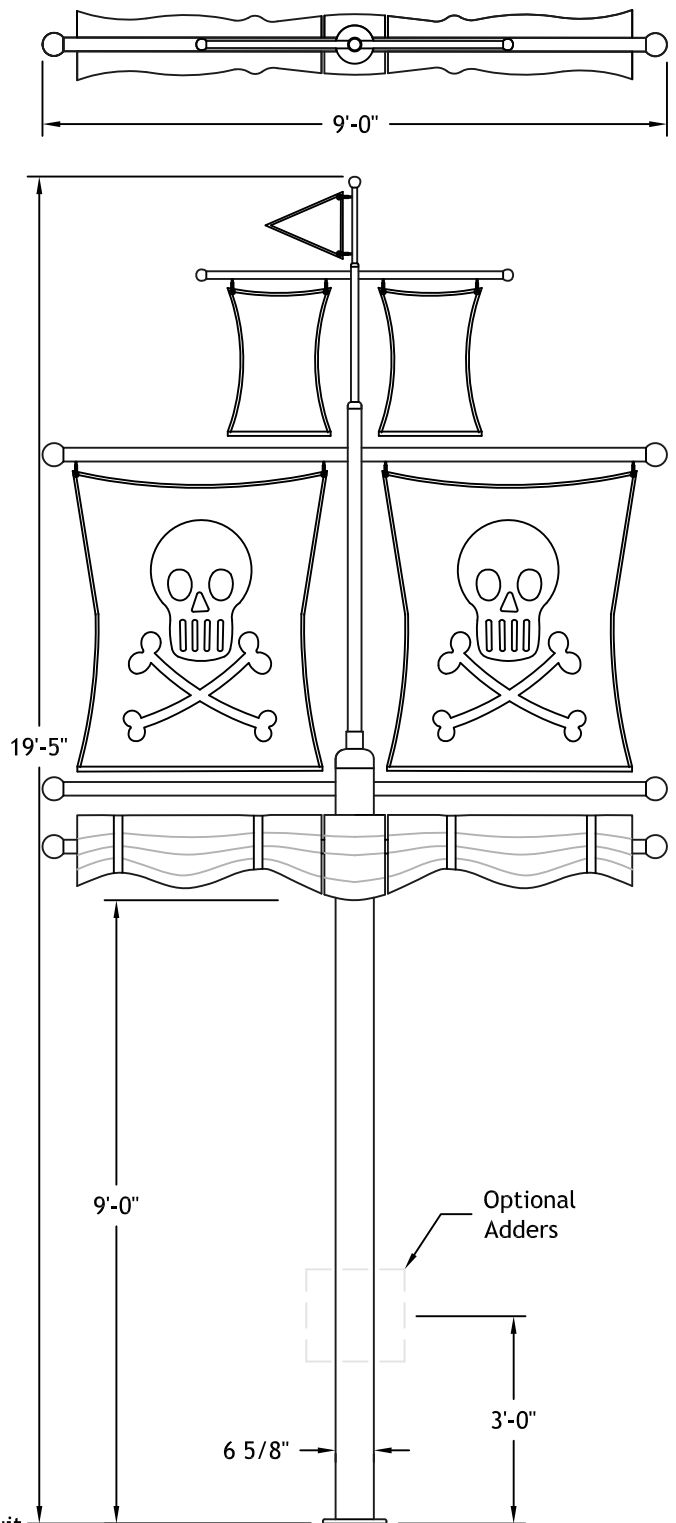
Activator Power: 3 VDC lithium battery (CR2477).

- Wired Activator Button (-ST)**

Activator Switch: 12 VDC.

Activator Cord: 150' of #18/2 type STOW, minimum 3/4" conduit recommended.

- Hand Wheel (-HW):** Stainless steel coated with a heavy-duty aliphatic urethane

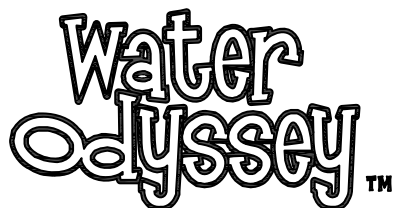
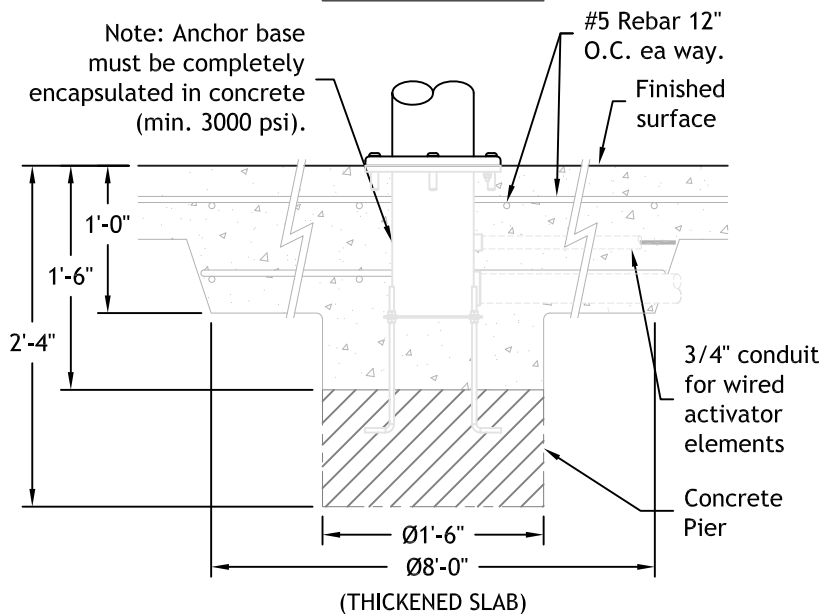


Hydraulic Requirements

25-50 GPM @ 6PSI

Anchor Base

Note: Anchor base must be completely encapsulated in concrete (min. 3000 psi).



Dumpin' Buccaneer™