

Specifications

Model Number: W139

Interactive Water Effect: Shall be ribbon-like solid stream jets spin around the shaft as it is rotated.

Shaft: Straight 6" type 304 stainless steel pipe with machined type 304 base plate.

Handles: Type 304 stainless steel.

Joint: Delrin®.

Anchor Base: Type 304 stainless steel machined to mate with shaft base plate with grounding connection and 2" FPT inlet. Supplied with 4, 3/8" x 12" x 2" 18/8 stainless steel anchor bolts with two leveling nuts and washers per bolt and wood pour template.

Gasket: 70 durometer EPDM o-ring.

Fasteners: Tamper-resistant 18/8 stainless steel.

Finish: Textured elastomeric urethane with a UV and chlorine resistant sealer coat.

Color: (Specify red, dark blue, light blue, yellow, green, orange, or purple.)

Nozzles: 12 stainless steel precision jets.

Optional Adders:

- Wireless Activator Button (-SW)**

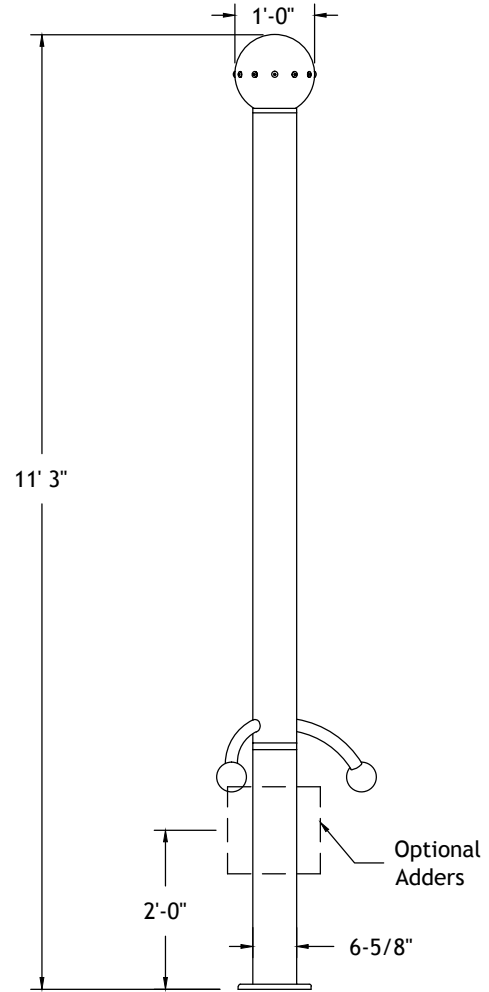
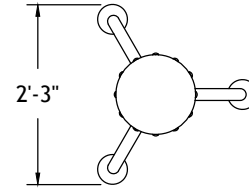
Transmitter: Solid state with encoded signal and integral omni-directional antenna.

Activator Power: 3 VDC lithium battery (CR2477).

- Wired Activator Button (-ST)**

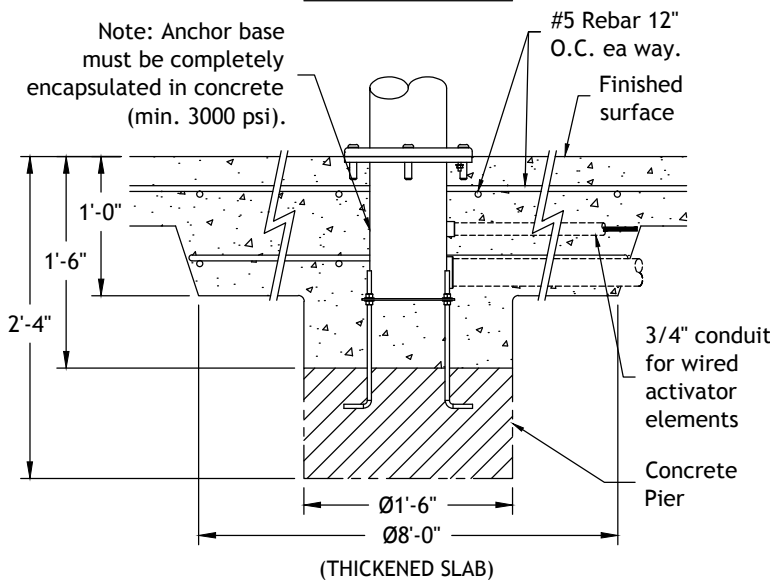
Activator Switch: 12 VDC.

Activator Cord: 150' of #18/2 type STOW, minimum 3/4" conduit recommended.



Anchor Base

Note: Anchor base must be completely encapsulated in concrete (min. 3000 psi).



Hydraulic Requirements

W139

GPM	psi
30-40	6



Water Maypole™