

Specifications

Model Number: W133

Interactive Water Effect: Shall be a dump bucket effect regulated by volume of flow.

Shaft: Straight 8" type 304 stainless steel pipe with machined type 304 base plate.

Arms: 2" type 304 stainless steel pipe.

Yokes: Type 304 stainless steel.

Buckets: Heavy-duty FRP (fiber reinforced polyester).

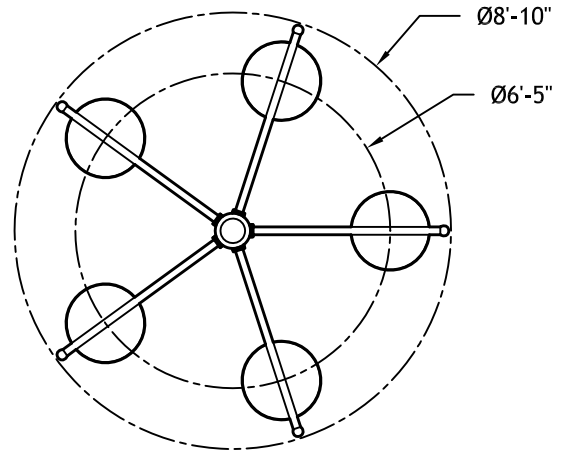
Anchor Base: Type 304 stainless steel machined to mate with shaft base plate with grounding connection and 2" FPT inlet. Supplied with 4, 3/4" x 12" x 3" 18/8 stainless steel anchor bolts with two leveling nuts and washers per bolt and wood pour template.

Gasket: 70 durometer EPDM o-ring.

Fasteners: Tamper-resistant 18/8 stainless steel.

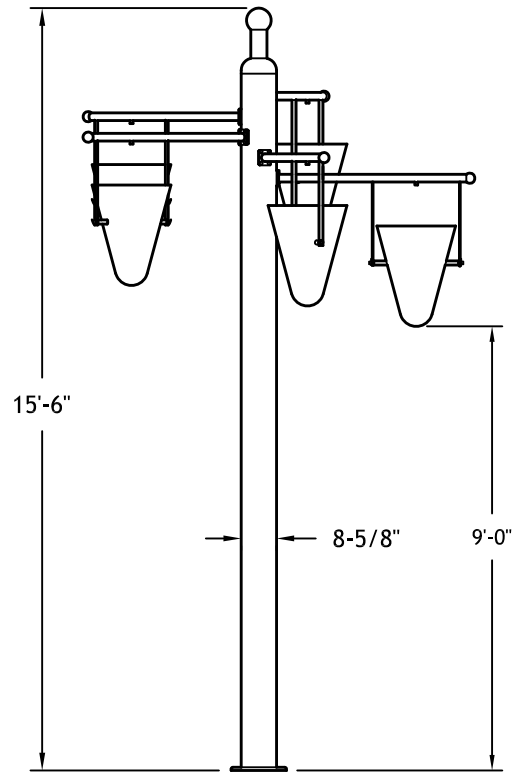
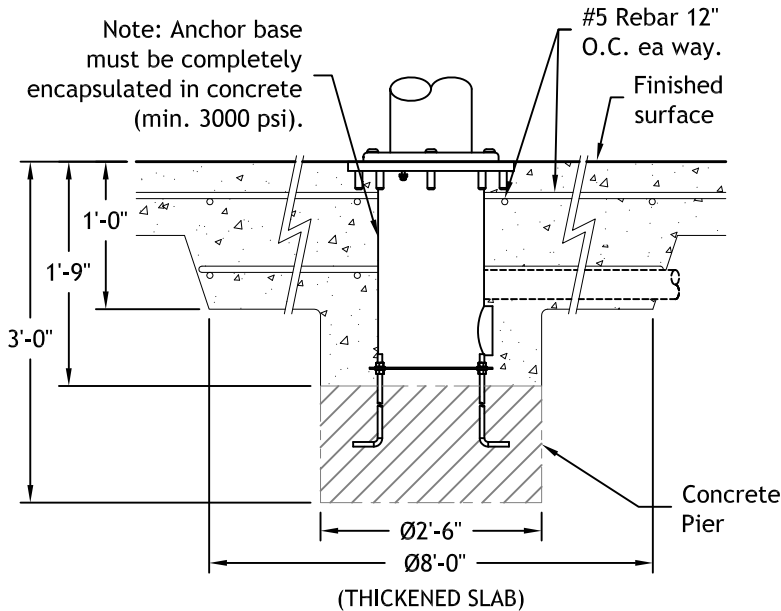
Finish: Textured elastomeric urethane with a UV and chlorine resistant sealer coat.

Color: (Specify red, dark blue, light blue, yellow, green, orange, or purple.)



Anchor Base

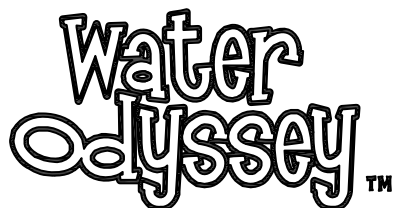
Note: Anchor base must be completely encapsulated in concrete (min. 3000 psi).



Hydraulic Requirements

□ W133

GPM	psi
32-96	9



Splash Tower™