

# Specifications

**Model Number:** W130

**Interactive Water Effect:** Shall be a bucket dump effect requiring the alignment of the fill lines with the buckets.

**Shaft:** Straight 6" diameter type 304 stainless steel with machined type 304 handles and base plate.

**Arms:** 1½" type 304 stainless steel pipe.

**Buckets:** Heavy-duty FRP (fiber reinforced polyester).

**Joint:** Delrin®.

**Anchor Base:** Type 304 stainless steel machined to mate with shaft base plate with grounding connection and 2" FPT inlet. Supplied with 4, ¾" x 12" x 2" anchor bolts with two leveling nuts and washers per bolt and wood pour template.

**Gasket:** 70 durometer EPDM o-ring.

**Fasteners:** Tamper-resistant 18/8 stainless steel.

**Finish:** Textured elastomeric urethane with a UV and chlorine resistant sealer coat.

**Color:** (Specify red, dark blue, light blue, yellow, green, orange, or purple.)

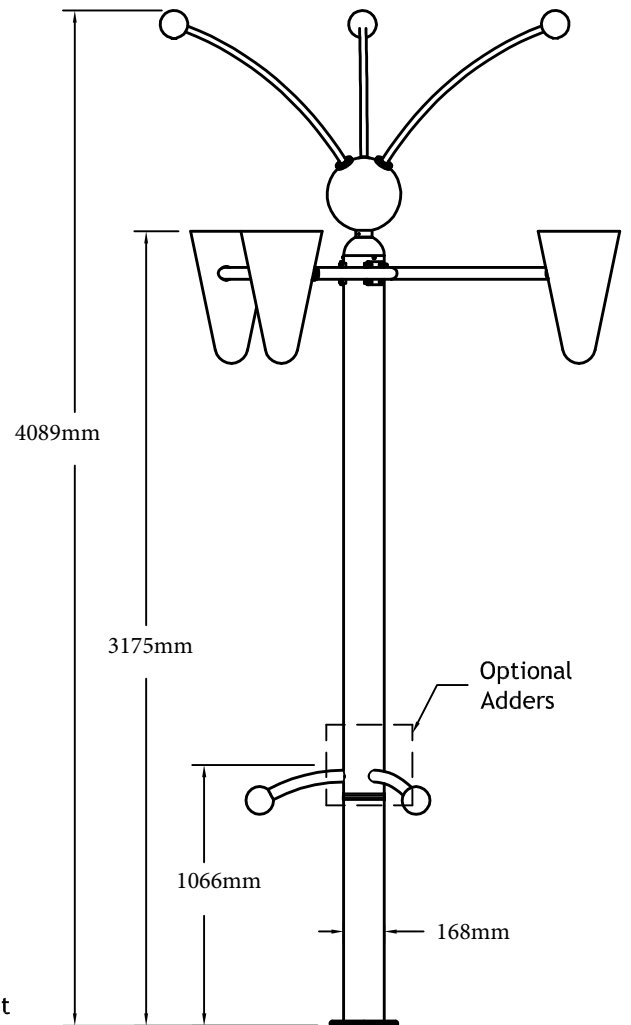
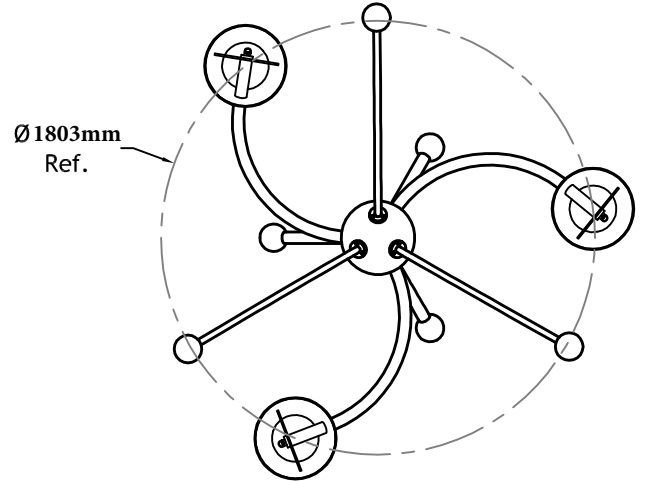
**Nozzles:** 3 stainless steel precision jets.

## Optional Adders:

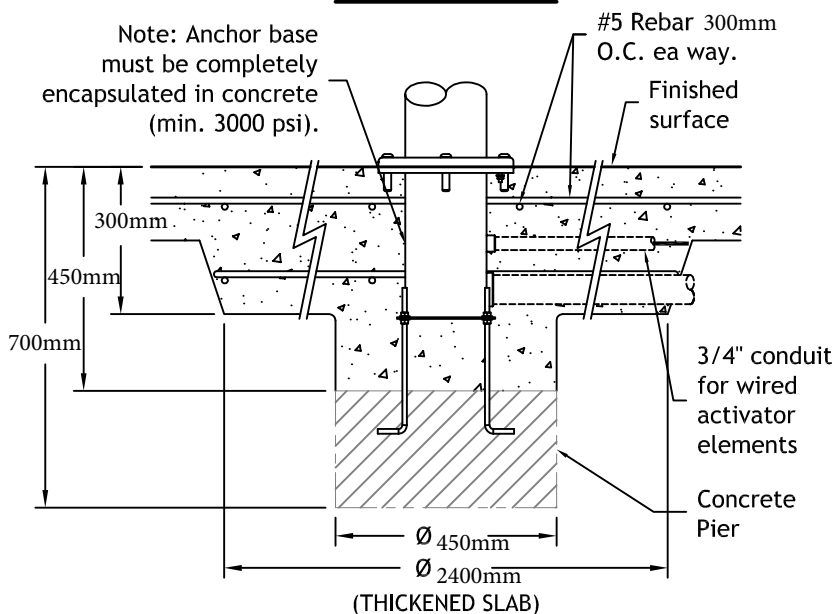
### Wireless Activator Button (-SW)

Transmitter: Solid state with encoded signal and integral omni-directional antenna.

Activator Power: 3 VDC lithium battery (CR2477).



## Anchor Base



## Hydraulic Requirements

W130

LPM	psi
56 - 113	8

# Spin & Spill™