

# Specifications

**Model Number:** W129

**Interactive Water Effect:** Shall be comprised of a morning glory effect, a downward shower and a spill effect.

**Shaft:** Straight 6" diameter type 304 stainless steel with machined type 304 base plate.

**Arms:** 2" type 304 stainless steel pipe.

**Anchor Base:** Type 304 stainless steel machined to mate with shaft base plate with grounding connection and 2" FPT inlet. Supplied with 4, 3/8" x 12" x 2" anchor bolts with two leveling nuts and washers per bolt and wood pour template.

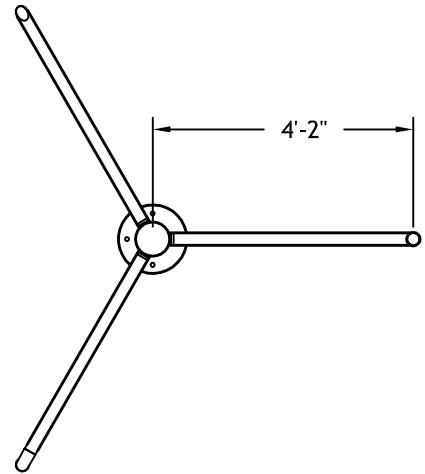
**Gasket:** 70 durometer EPDM o-ring.

**Fasteners:** Tamper-resistant 18/8 stainless steel.

**Finish:** Textured elastomeric urethane with a UV and chlorine resistant sealer coat.

**Color:** (Specify red, dark blue, light blue, yellow, green, orange, or purple.)

**Nozzles:** 2 precision machined brass, 1 stainless steel pipe.



**Optional Adders:**

**Wireless Activator Button (-SW)**

Transmitter: Solid state with encoded signal and integral omni-directional antenna.

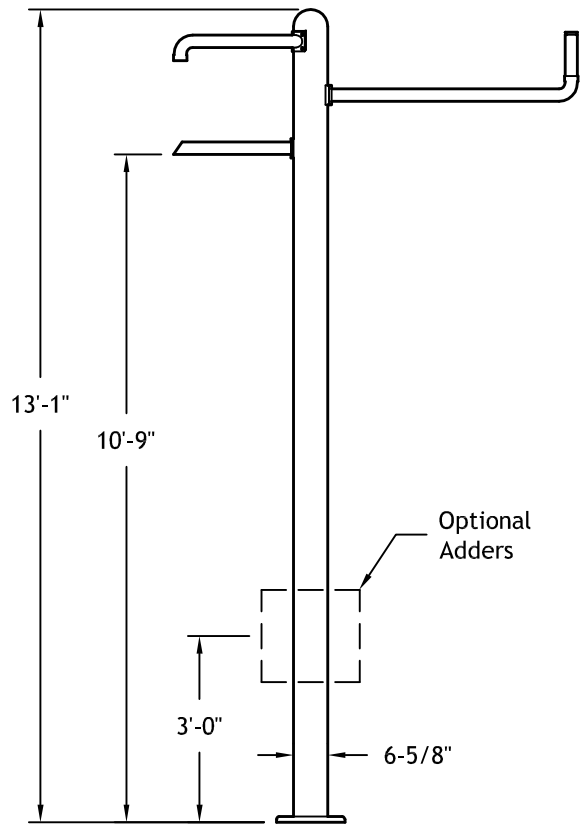
Activator Power: 3 VDC lithium battery (CR2477).

**Wired Activator Button (-ST)**

Activator Switch: 12 VDC.

Activator Cord: 150' of #18/2 type STOW, minimum 3/4" conduit recommended.

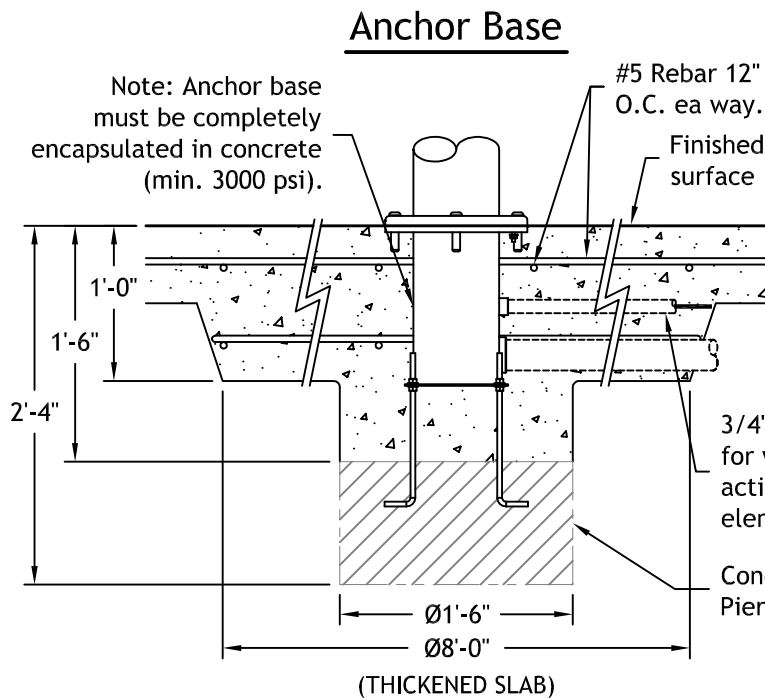
**Hand Wheel (-HW):** Stainless steel coated with a heavy-duty aliphatic urethane.



## Hydraulic Requirements

W129

GPM	psi
25-35	5



# Three Arm Bandit™