

Specifications

Model Number: W128

Interactive Water Effect: Shall be a full downward shower effect 3' in diameter and a swirling bubbler in the cupola.

Flower: Heavy-duty FRP (fiber reinforced polyester).

Shaft: 4" type 304 stainless steel pipe with a full radius bend and a machined type 304 base plate.

Anchor Base: Type 304 stainless steel machined to mate with shaft base plate with grounding connection and 2" FPT inlet. Supplied with 4, 3/8" x 12" x 2" anchor bolts with two leveling nuts and washers per bolt and wood pour template.

Gasket: 70 durometer EPDM o-ring.

Fasteners: Tamper-resistant 18/8 stainless steel.

Finish: Textured elastomeric urethane with a UV and chlorine resistant sealer coat.

Color: Shaft, green; Flower, green, yellow, orange.

Nozzles: Precision machined stainless steel.

Optional Adders:

Wireless Activator Button (-SW)

Transmitter: Solid state with encoded signal and integral omni-directional antenna.

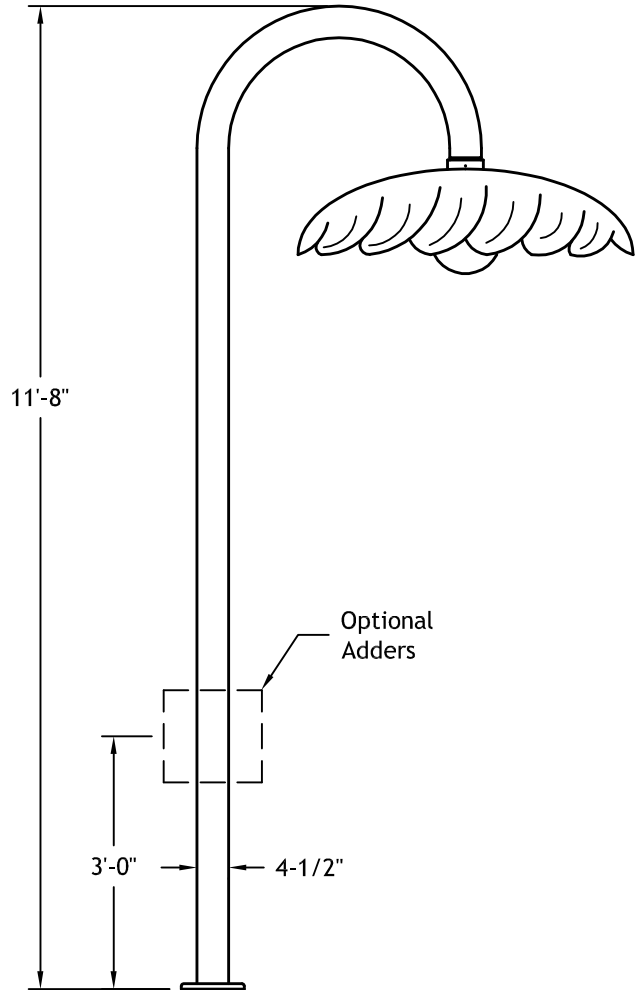
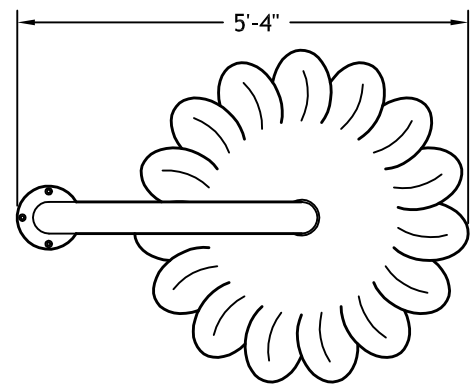
Activator Power: 3 VDC lithium battery (CR2477).

Wired Activator Button (-ST)

Activator Switch: 12 VDC.

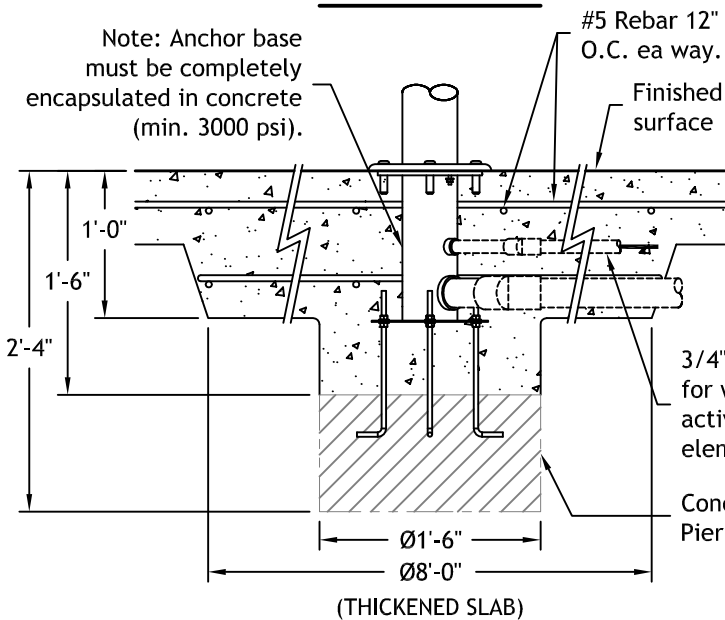
Activator Cord: 150' of #18/2 type STOW, minimum 3/4" conduit recommended.

Hand Wheel (-HW): Stainless steel coated with a heavy-duty aliphatic urethane.



Anchor Base

Note: Anchor base must be completely encapsulated in concrete (min. 3000 psi).



Hydraulic Requirements

W128

GPM	psi
20-40	6

***W128C - Water Conserving Version**

GPM	psi
10-20	6



Flower Shower™