

# Specifications

**Model Number:** W127

**Interactive Water Effect:** Shall be a spill effect over the roof and a heavy spray effect from the spout.

**Center Shaft:** Straight 4" diameter type 304 stainless steel pipe with machined type 304 base plate.

**Support Legs:** Straight 2" diameter type 304 stainless steel pipe with machined type 304 base plates and concrete anchors.

**Tank:** Heavy-duty fiber reinforced polyester (FRP).

**Spout:** Straight 4" diameter type 304 stainless steel pipe.

**Anchor Base:** Type 304 stainless steel machined to mate with shaft base plate with grounding connection and 2" FPT inlet. Supplied with 4, 3/8" x 12" x 2" anchor bolts with two leveling nuts and washers per bolt and wood pour template. Anchors for support legs?

**Gasket:** 70 durometer EPDM o-ring.

**Fasteners:** Tamper-resistant 18/8 stainless steel.

**Finish:** Textured elastomeric urethane with a UV and chlorine resistant sealer coat.

**Spout Nozzle:** Machined brass heavy spray nozzle assembly with throttling valve.

**Color:** (Specify red, dark blue, light blue, yellow, green, orange, purple, brown, or black.)

## Optional Adders:

**Wireless Activator Button (-SW)**

Transmitter: Solid state with encoded signal and integral omni-directional antenna.

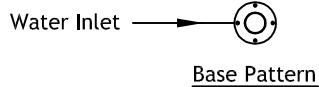
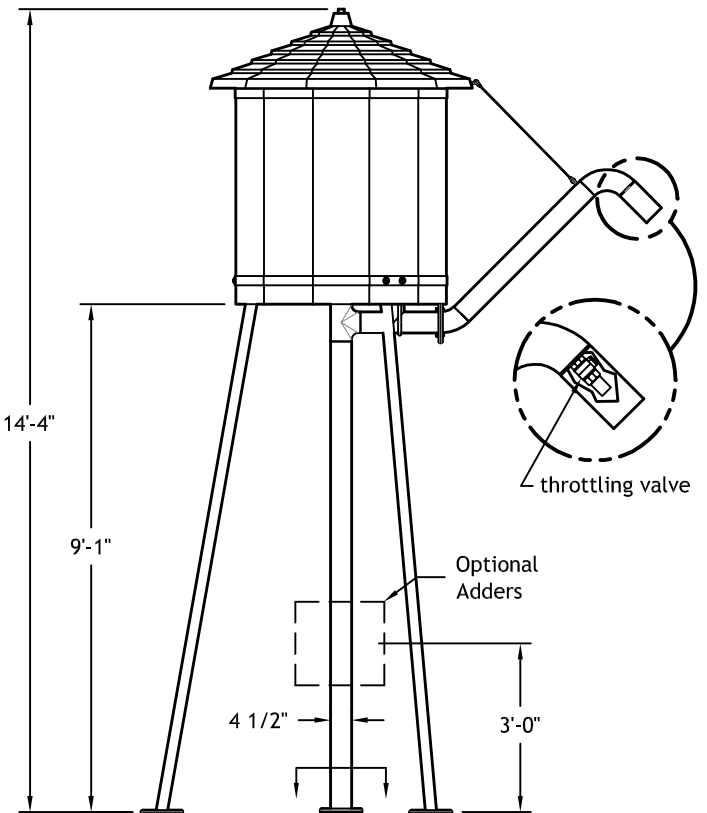
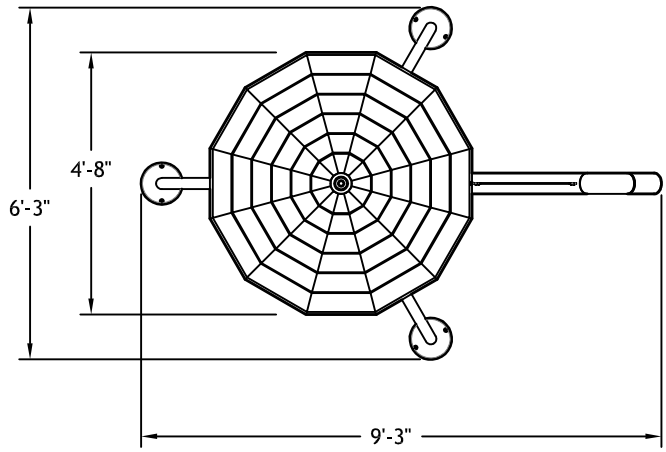
Activator Power: 3 VDC lithium battery (CR2477).

**Wired Activator Button (-ST)**

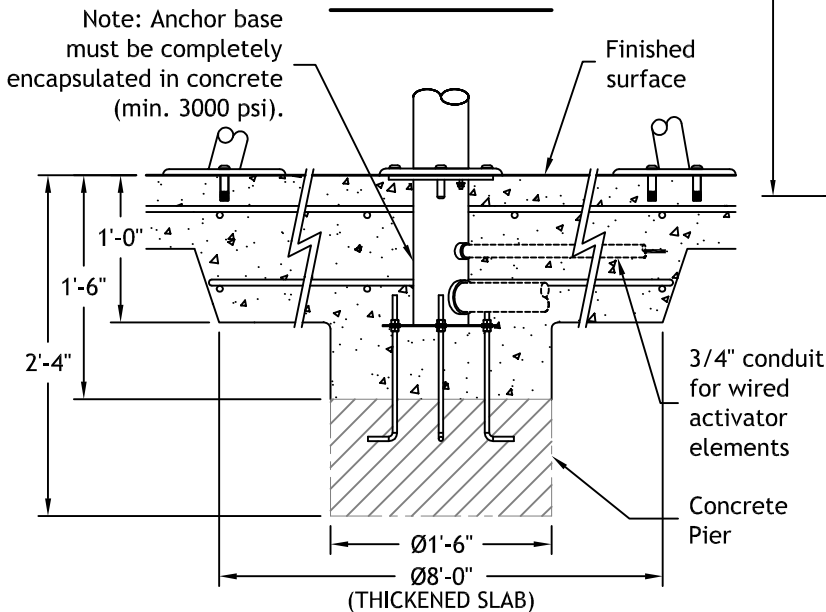
Activator Switch: 12 VDC.

Activator Cord: 150' of #18/2 type STOW, minimum 3/4" conduit recommended.

**Hand Wheel (-HW):** Stainless steel coated with a heavy-duty aliphatic urethane.



## Anchor Base



## Hydraulic Requirements

W127

GPM	psi
20-30	10-20



# Spill Tower™