

Specifications

Model Number: W088

Interactive Water Effect: Shall be twin directable highly aerated sprays of water. Shooter shall turn off automatically when not in use.

Shaft: Straight 2" type 304 stainless steel pipe with machined type 304 base plate.

Elbow: 2" type 304 stainless steel.

Housing: Fabricated type 304 stainless steel.

Joints: Precision machined Delrin® flow control joints adjustable for 45°-360° directional flow.

Anchor Base: Type 304 stainless steel machined to mate with shaft base plate includes grounding connection and 2" FPT inlet. Supplied with (4) 3/8" x 12" x 2" anchor bolts with two leveling nuts and washers per bolt and wood pour template.

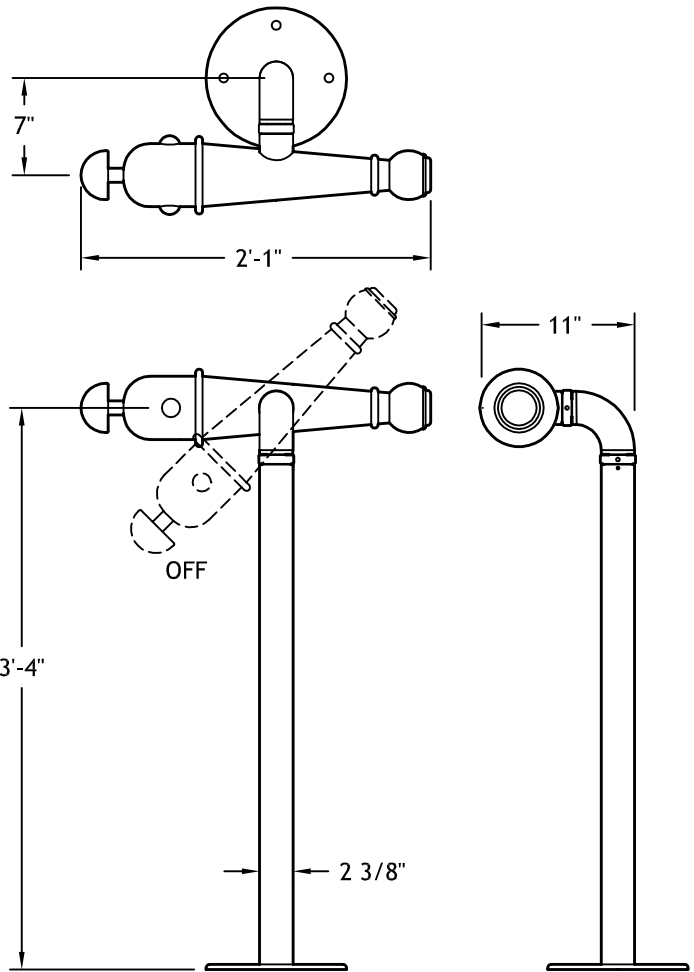
Gasket: 70 durometer EPDM o-ring.

Fasteners: Tamper-resistant 18/8 stainless steel.

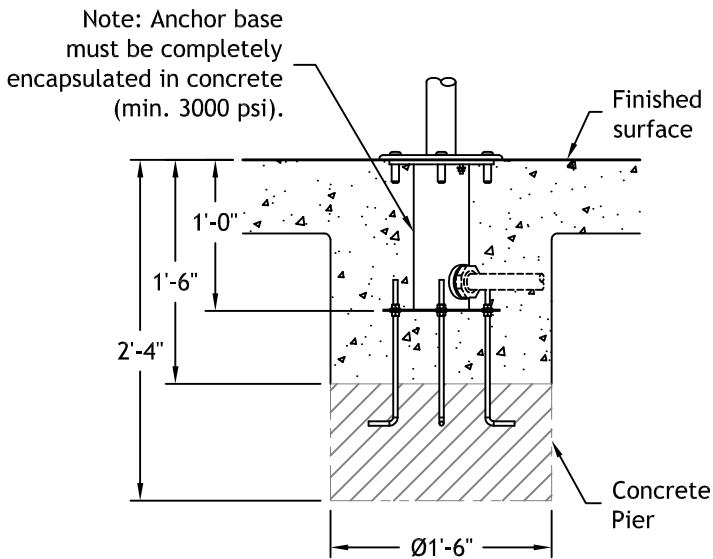
Finish: Textured elastomeric urethane with a UV and chlorine resistant sealer coat.

Color: Black.

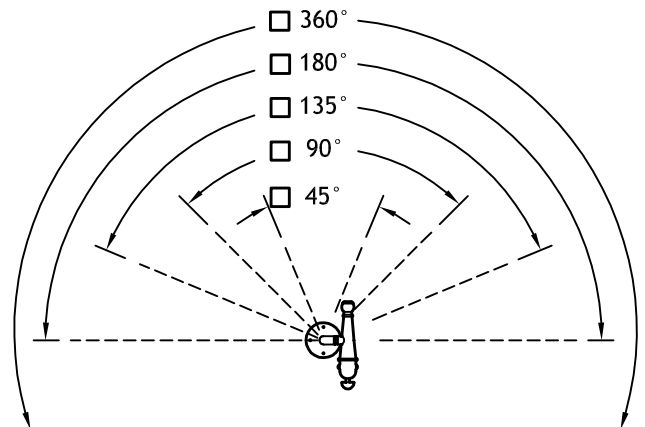
Nozzles: Machined brass foam nozzles.



Anchor Base



Splash Zone



Hydraulic Requirements

Throw @ 45°	GPM	psi
10'	9	12
15'	12	14
20'	16	16



Gravity Cannon™