

Specifications

Model Number: W080

Interactive Water Effect: Shall be a row of solid stream jets on a rotatable manifold.

Shaft: Straight 4" type 304 stainless steel pipe with machined type 304 base plate.

Elbows: Type 304 stainless steel.

Joints: Bronze and Delrin®.

Anchor Base: Type 304 stainless steel machined to mate with shaft base plate with grounding connection and 2" FPT inlet. Supplied with 4, 3/8" x 12" x 2" anchor bolts with two leveling nuts and washers per bolt and wood pour template.

Closed End Base: Supplied with four stainless steel concrete anchors, 18/8 stainless steel tamper-resistant screws, and a threaded drain plug.

Gasket: 70 durometer EPDM o-ring.

Fasteners: Tamper-resistant 18/8 stainless steel.

Finish: Textured elastomeric urethane with a UV and chlorine resistant sealer coat.

Color: (Specify red, dark blue, light blue, yellow, green, orange, or purple.)

Nozzles: 13 stainless steel precision jets.

Optional Adders:

Wireless Activator Button (-SW)

Transmitter: Solid state with encoded signal and integral omni-directional antenna.

Activator Power: 3 VDC lithium battery (CR2477).

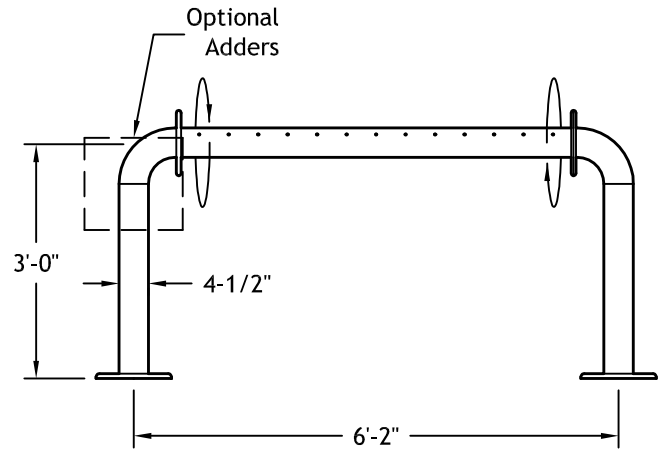
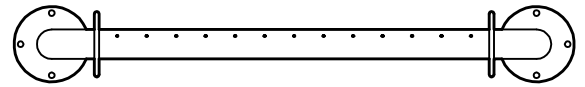
Wired Activator Button (-ST)

Activator Switch: 12 VDC.

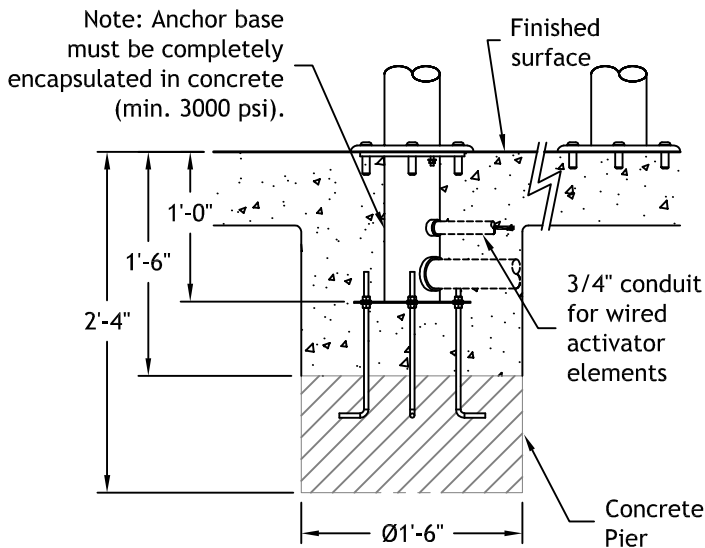
Activator Cord: 150' of #18/2 type STOW, minimum 3/4" conduit recommended.

Hand Wheel (-HW): Stainless steel coated with a

heavy-duty aliphatic urethane.



Anchor Base



Hydraulic Requirements

W080

Height	Throw	GPM	psi
2'	4'	26	3
4'	8'	45	5
6'	12'	65	7

*W080C - Water Conserving Version

Height	Throw	*CGPM	*Cpsi
2'	4'	6	3
4'	8'	8	5
6'	12'	10	7



Roll-A-Rail™