

Specifications

Model Number: W074

Interactive Water Effect: Shall be a mist effect within the boundaries of the arch.

Shaft: 3" type 304 stainless steel pipe with full radius bend and machined type 304 base plate.

Anchor Base: Type 304 stainless steel machined to mate with shaft base plate with grounding connection and 2" FPT inlet. Supplied with 4, 3/8" x 12" x 2" anchor bolts with two leveling nuts and washers per bolt and wood pour template.

Closed End Base: Supplied with 2 stainless steel concrete anchors, 18/8 stainless steel tamper-resistant screws, and a threaded drain plug.

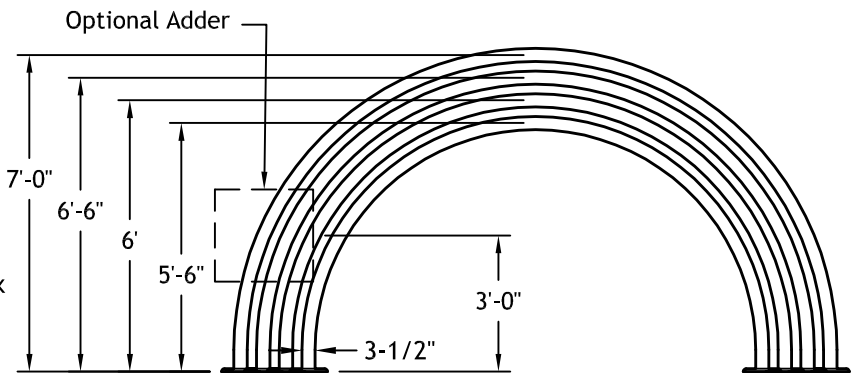
Gasket: 70 durometer EPDM o-ring.

Fasteners: Tamper-resistant 18/8 stainless steel.

Finish: Textured elastomeric urethane with a UV and chlorine resistant sealer coat.

Color: (Specify red, dark blue, light blue, yellow, green, orange, or purple.)

Nozzles: 20 (5 per arch) machined brass mist jets.



Optional Adders:

Wireless Activator Button (-SW)

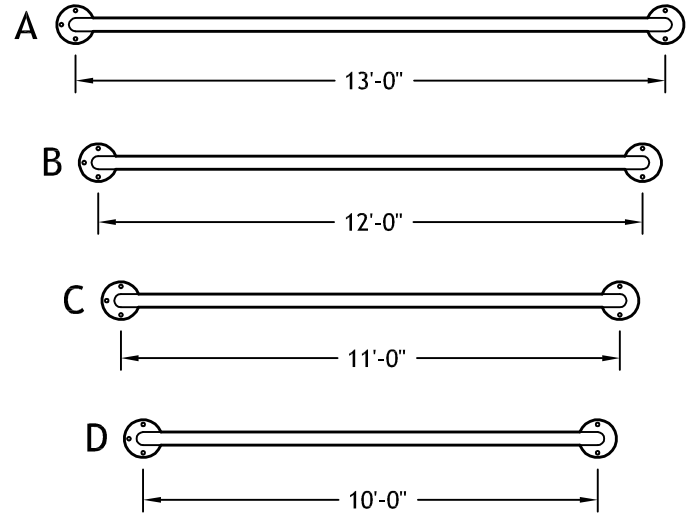
- Transmitter: Solid state with encoded signal and integral omni-directional antenna.

Activator Power: 3 VDC lithium battery (CR2477).

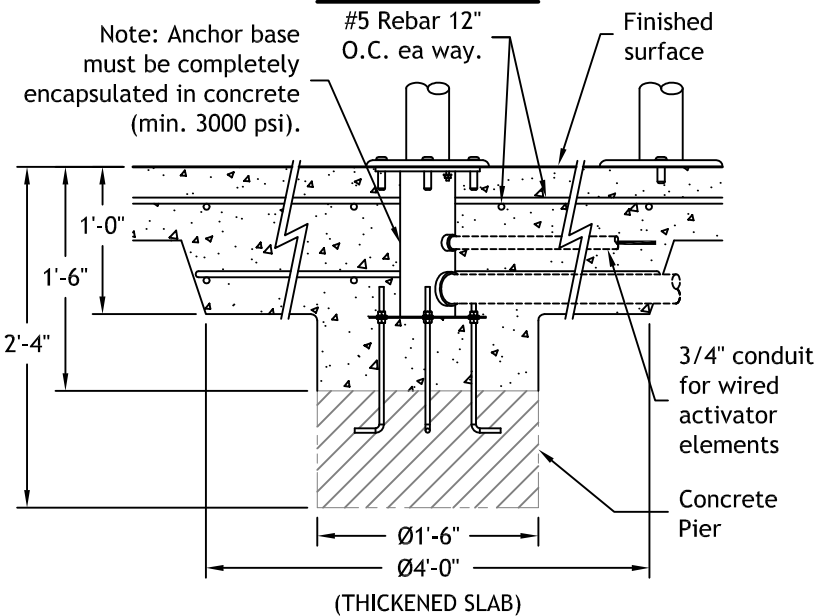
Wired Activator Button (-ST)

- Activator Switch: 12 VDC.

Activator Cord: 150' of #18/2 type STOW, minimum 3/4" conduit recommended.



Anchor Base



Hydraulic Requirements

- W074

GPM	psi
15	20



Water Wickets™