

Specifications

Model Number: W062

Interactive Water Effect: Shall be an angled row of solid stream jets.

Shaft: 6" type 304 stainless steel pipe with machined type 304 base plate.

Anchor Base: Type 304 stainless steel machined to mate with shaft base plate with grounding connection and 2" FPT inlet. Supplied with 4, 3/8" x 12" x 2" anchor bolts with two leveling nuts and washers per bolt and wood pour template.

Closed End Base: Supplied with 2 stainless steel concrete anchors, 18/8 stainless steel tamper-resistant screws, and a threaded drain plug.

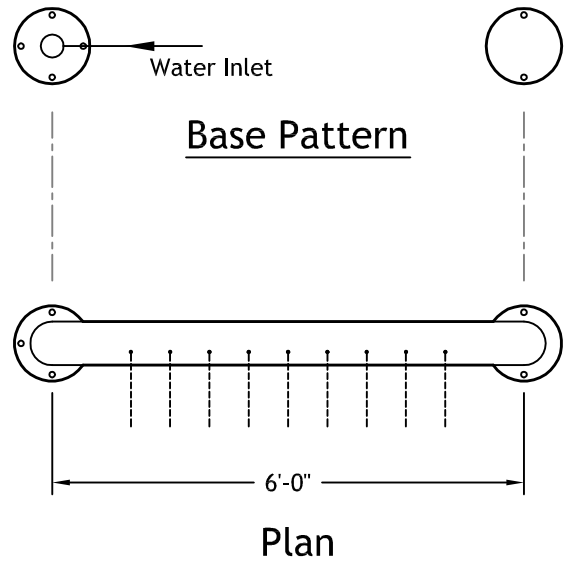
Gasket: 70 durometer EPDM o-ring.

Fasteners: Tamper-resistant 18/8 stainless steel.

Finish: Textured elastomeric urethane with a UV and chlorine resistant sealer coat.

Color: (Specify red, dark blue, light blue, yellow, green, orange, or purple.)

Nozzles: 9 stainless steel precision jets.



Optional Adders:

Wireless Activator Button (-SW)

Transmitter: Solid state with encoded signal and integral omni-directional antenna.

Activator Power: 3 VDC lithium battery (CR2477).

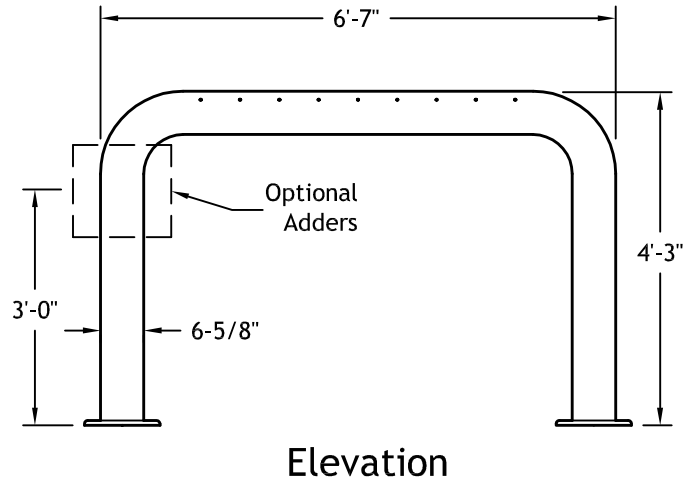
Wired Activator Button (-ST)

Activator Switch: 12 VDC.

Activator Cord: 150' of #18/2 type STOW, minimum 3/4" conduit recommended.

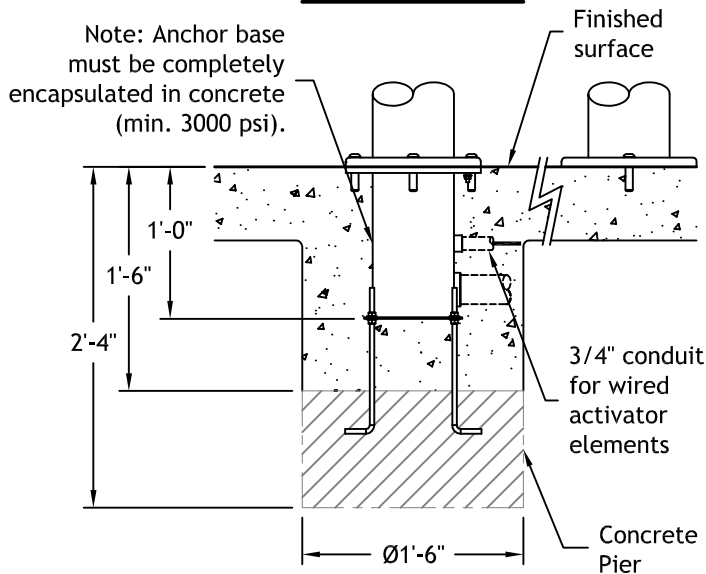
Hand Wheel (-HW): Stainless steel coated with a heavy-duty

aliphatic urethane.



Elevation

Anchor Base



Hydraulic Requirements

W062

Height	Throw	GPM	psi
2'	4'	18	3
4'	8'	31	5
6'	12'	45	7



Water Rail™