

Specifications

Model Number: W056

Interactive Water Effect: Shall be a directable highly aerated spray of water.

Shaft: Straight 2" type 304 stainless steel pipe with machined type 304 base plate.

Elbow: 2" type 304 stainless steel.

Housing: Fabricated type 304 stainless steel.

Joints: Precision machined Delrin® flow control joints adjustable for 45°-360° directional flow.

Anchor Base: Type 304 stainless steel machined to mate with shaft base plate includes grounding connection and 2" FPT inlet. Supplied with (4) 3/8" x 12" x 2" anchor bolts with two leveling nuts and washers per bolt and wood pour template.

Gasket: 70 durometer EPDM o-ring.

Fasteners: Tamper-resistant 18/8 stainless steel.

Finish: Textured elastomeric urethane with a UV and chlorine resistant sealer coat.

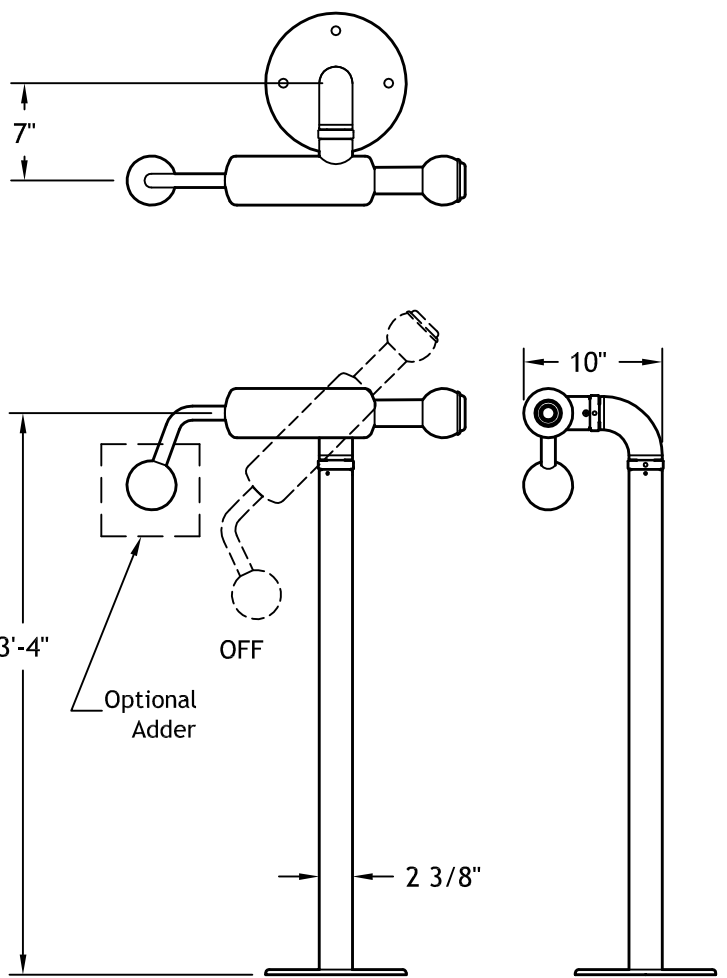
Color: Specify: red, dark blue, light blue, yellow, green, orange, or purple.

Nozzle: Machined brass foam nozzle.

Optional Adders:

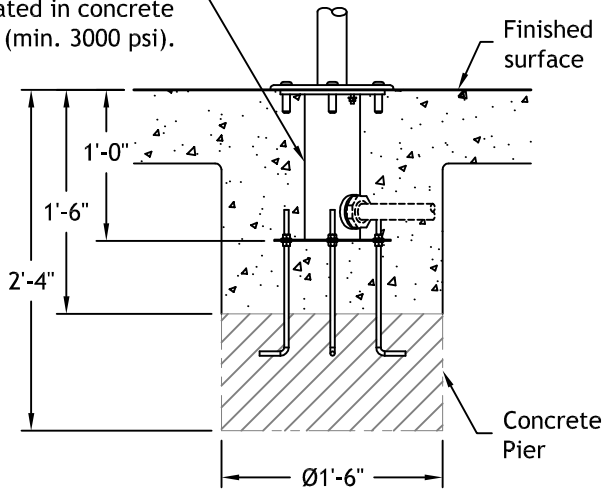
- Wireless Activator Button (-SW)**

Transmitter: Solid state with encoded signal and integral omni-directional antenna.

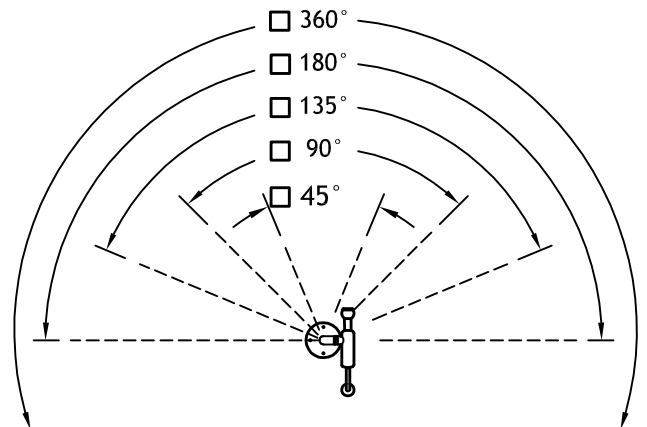


Anchor Base

Note: Anchor base must be completely encapsulated in concrete (min. 3000 psi).



Splash Zone



Hydraulic Requirements

Throw @ 45°	GPM	psi
10'	9	12
15'	12	14
20'	16	16



Gravity Shooter™