

# Specifications

**Model Number:** W040

**Interactive Water Effect:** Shall be an outward discharging circle of web-like streams of water.

**Shaft:** Straight 4" type 304 stainless steel pipe with machined type 304 base plate.

**Anchor Base:** Type 304 stainless steel machined to mate with shaft base plate with grounding connection and 2" FPT inlet. Supplied with 4, 3/8" x 12" x 2" anchor bolts with two leveling nuts and washers per bolt and wood pour template.

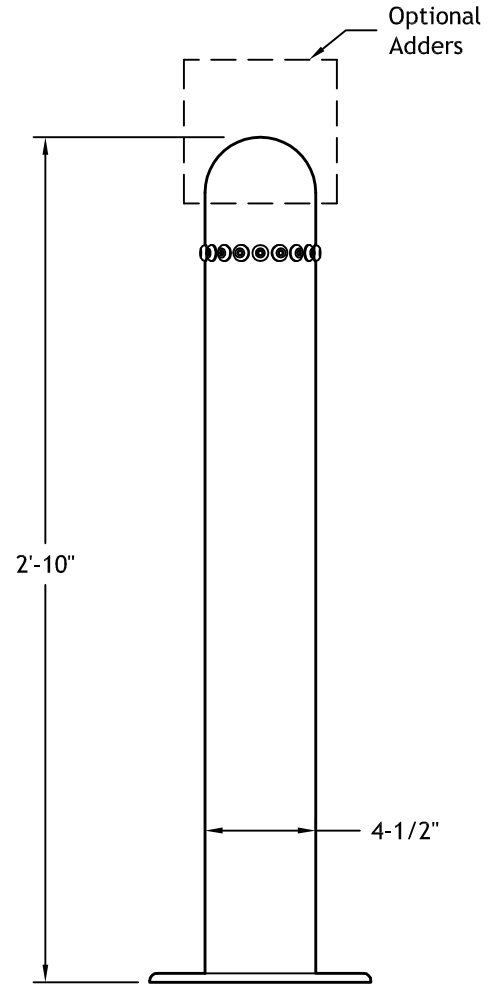
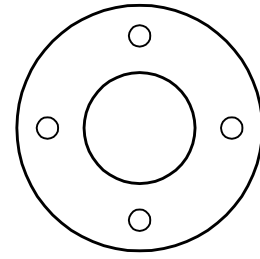
**Gasket:** 70 durometer EPDM o-ring.

**Fasteners:** Tamper-resistant 18/8 stainless steel.

**Finish:** Textured elastomeric urethane with a UV and chlorine resistant sealer coat.

**Color:** (Specify red, dark blue, light blue, yellow, green, orange, or purple.)

**Nozzles:** 18 stainless steel precision jets.



**Optional Adders:**

**Wireless Activator Button (-SW)**

**Transmitter:** Solid state with encoded signal and integral omni-directional antenna.

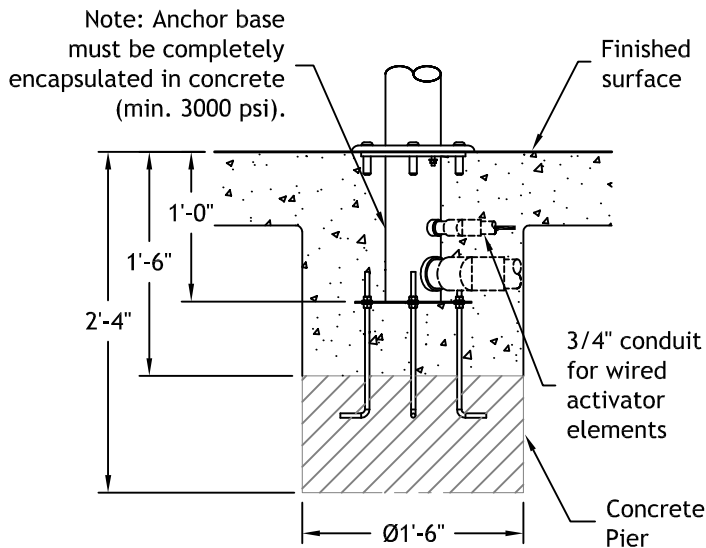
Activator Power: 3 VDC lithium battery (CR2477).

**Wired Activator Button (-ST)**

**Activator Switch:** 12 VDC.

Activator Cord: 150' of #18/2 type STOW, minimum 3/4" conduit recommended.

## Anchor Base



## Hydraulic Requirements

W040

Spread	GPM	psi
4'	8	1
8'	16	2
22'	22	3



# Water Web™