

# Specifications

**Model Number:** W024

**Interactive Water Effect:** Shall be a clear sheet of water resembling a morning glory

**Shaft:** Straight 4" type 304 stainless steel pipe with machined type 304 base plate.

**Anchor Base:** Type 304 stainless steel machined to mate with shaft base plate with grounding connection and 2" FPT inlet. Supplied with 4, 3/8" x 12" x 2" anchor bolts with two leveling nuts and washers per bolt and wood pour template.

**Gasket:** 70 durometer EPDM o-ring.

**Fasteners:** Tamper-resistant 18/8 stainless steel.

**Finish:** Textured elastomeric urethane with a UV and chlorine resistant sealer coat.

**Color:** (Specify red, dark blue, light blue, yellow, green, orange, or purple.)

**Nozzle:** Adjustable machined brass deflector cone.

**Optional Adders:**

- Wireless Activator Button (-SW)**

Transmitter: Solid state with encoded signal and integral omni-directional antenna.

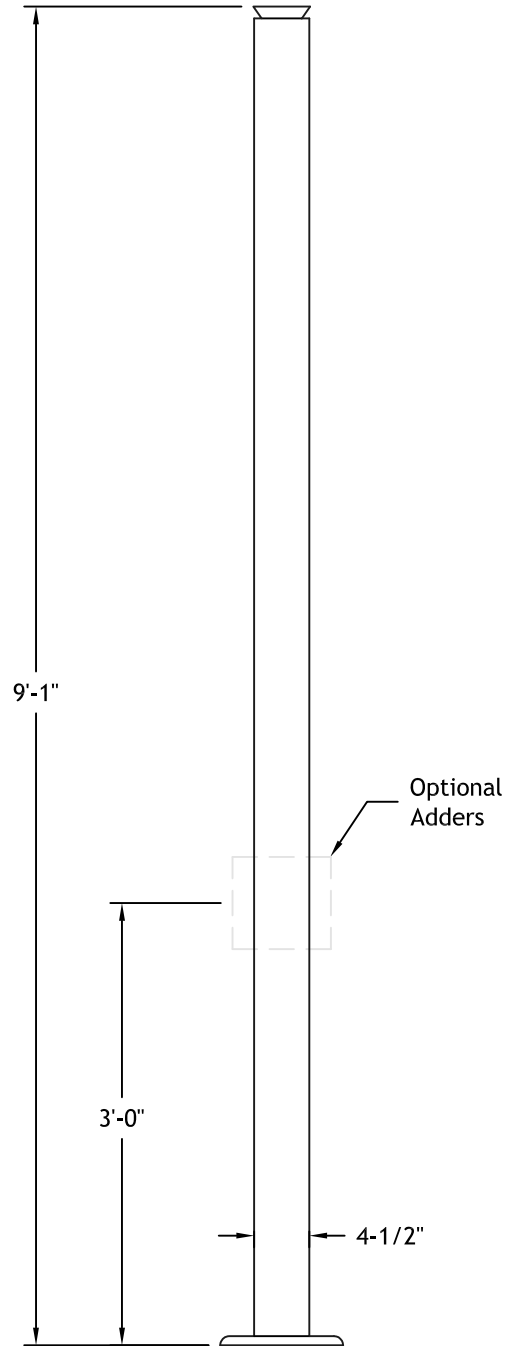
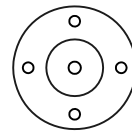
Activator Power: 3 VDC lithium battery (CR2477).

- Wired Activator Button (-ST)**

Activator Switch: 12 VDC.

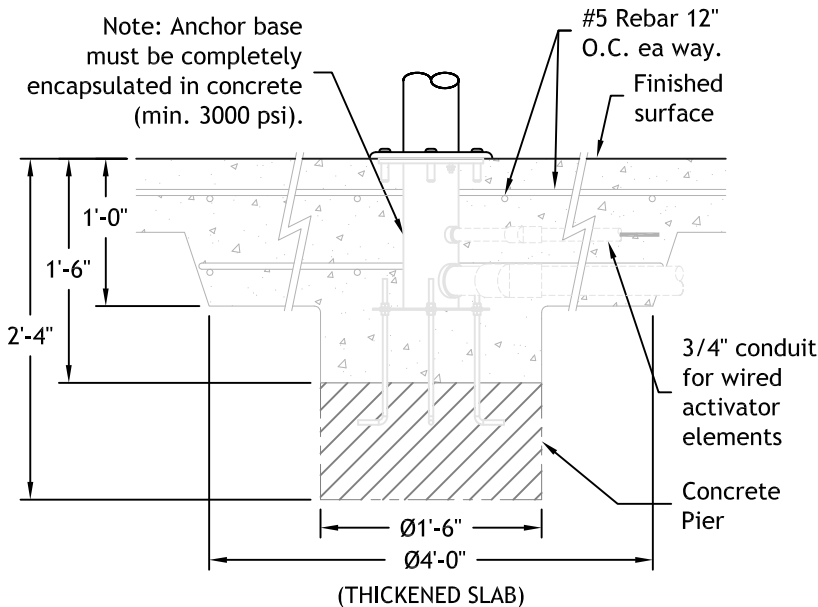
Activator Cord: 150' of #18/2 type STOW, minimum 3/4" conduit recommended.

- Hand Wheel (-HW):** Stainless steel coated with a heavy-duty aliphatic urethane.



## Anchor Base

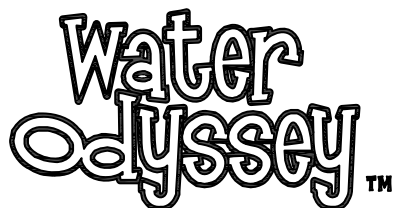
Note: Anchor base must be completely encapsulated in concrete (min. 3000 psi).



## Hydraulic Requirements

- W024

GPM	psi
25-75	4



# Water Whoopee™