

Specifications

Model Number: W022

Interactive Water Effect: Shall be a

Shaft: Straight 6" type 304 stainless steel pipe with machined type 304 base plate.

Arm: 4" type 304 stainless steel pipe with full radius bend and threaded connection.

Anchor Base: Type 304 stainless steel machined to mate with shaft base plate with grounding connection and 2" FPT inlet. Supplied with 4, 3/8" x 12" x 2" anchor bolts with two leveling nuts and washers per bolt and wood pour template.

Gasket: 70 durometer EPDM o-ring.

Fasteners: Tamper-resistant 18/8 stainless steel.

Finish: Textured elastomeric urethane with a UV and chlorine resistant sealer coat.

Color: (Specify red, dark blue, light blue, yellow, green, orange, or purple.)

Nozzles: 40 stainless steel precision jets.

Optional Adders:

- Wireless Activator Button (-SW)**

Transmitter: Solid state with encoded signal and integral omni-directional antenna.

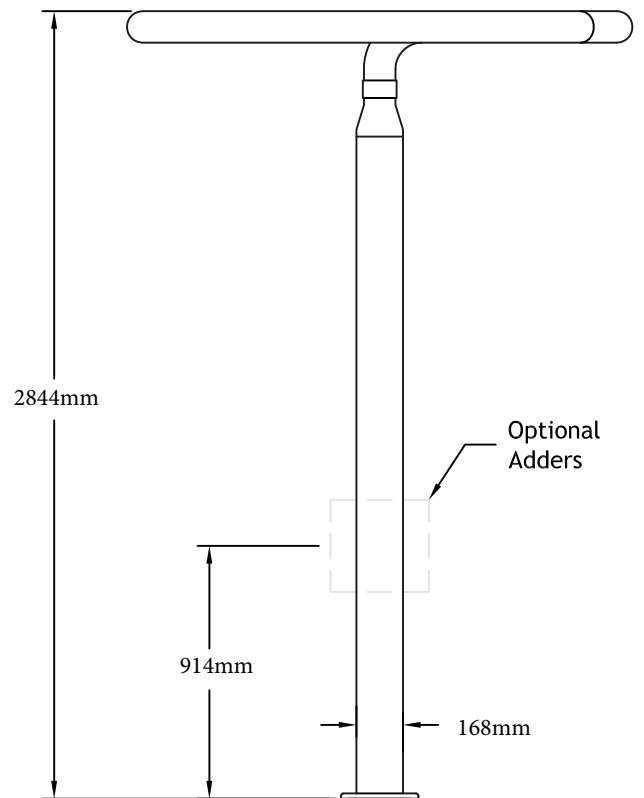
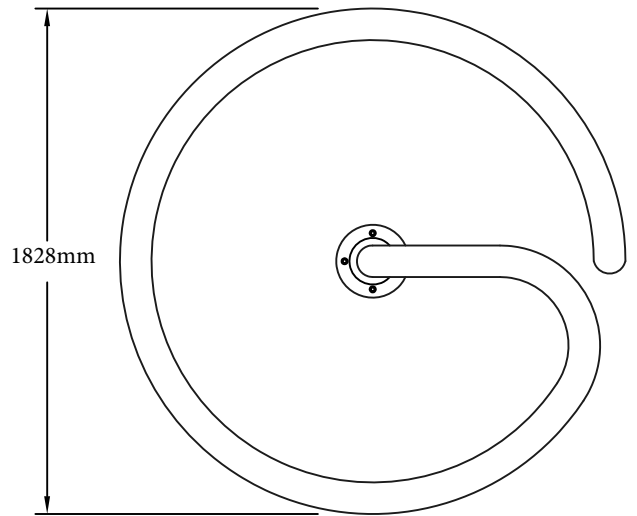
Activator Power: 3 VDC lithium battery (CR2477).

- Wired Activator Button (-ST)**

Activator Switch: 12 VDC.

Activator Cord: 45m of #18/2 type STOW, minimum 3/4" conduit recommended.

- Hand Wheel (-HW):** Stainless steel coated with a heavy-duty aliphatic urethane.



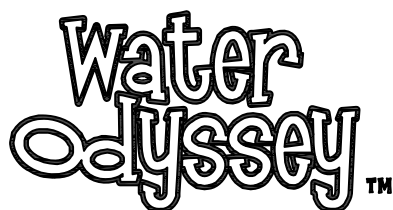
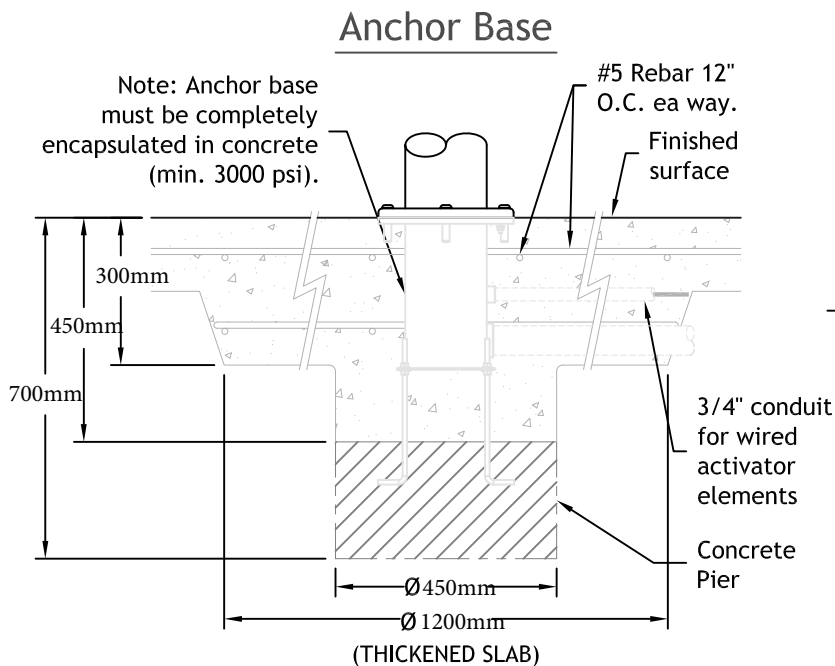
Hydraulic Requirements

- W022

LPM	psi
150 - 227	4

- *W022C - Water Conserving Version

*CLPM	*Cpsi
38 - 57	4



Weeping Water™