

Specifications

Optional Adders:

- Wireless Activator Button (-SW)**
Transmitter: Solid state with encoded signal and integral omni-directional antenna.
Activator Power: 3 VDC lithium battery (CR2477).
- Wired Activator Button (-ST)**
Activator Switch: 12 VDC.
Activator Cord: 150' of #18/2 type STOW, minimum 3/4" conduit recommended.

Model Number: W020

Interactive Water Effect: Shall be a solid streams of water emanating from the body components of the Water Worm™.

Shaft: 4" type 304 stainless steel pipe with full radius bend and machined type 304 base plate.

Anchor Base: Type 304 stainless steel machined to mate with shaft base plate with grounding connection and 2" FPT inlet. Supplied with 4, 3/8" x 12" x 2" anchor bolts with two leveling nuts and washers per bolt and wood pour template.

Gasket: 70 durometer EPDM o-ring.

Fasteners: Tamper-resistant 18/8 stainless steel.

Finish: Textured elastomeric urethane with a UV and chlorine resistant sealer coat.

Color: (Specify red, dark blue, light blue, yellow, green, orange, or purple.)

Nozzles: 71 stainless steel precision jets.

Hydraulic Requirements

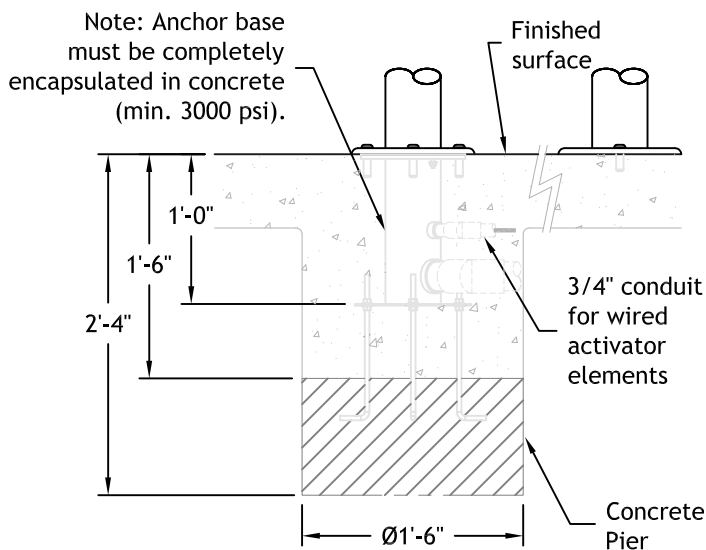
- W020

GPM	psi
35-55	2-3

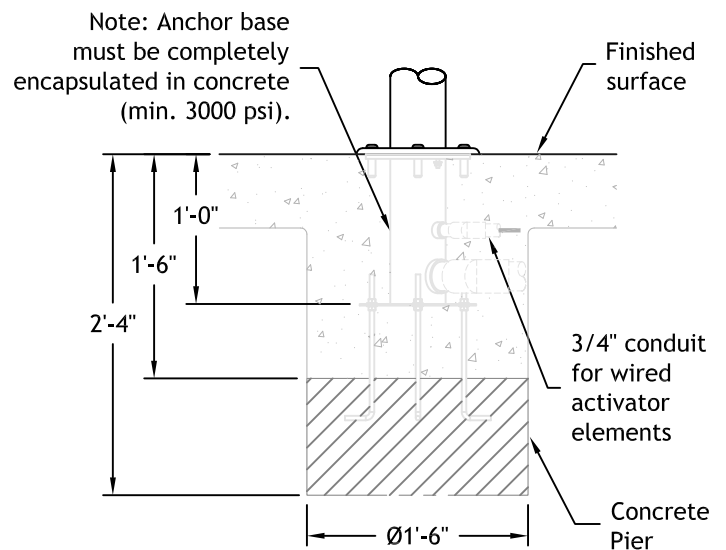
- *W020C - Water Conserving Version

*CGPM	*Cpsi
10-15	2-3

Anchor Base "B & C"



Anchor Base "A & E"



**Water
Odyssey™**

Water Worm™