

Specifications

Model Number: W007-F

Shaft: Straight 6" diameter type 304 stainless steel with machined type 304 base plate.

Dome: Heavy-duty FRP (fiber reinforced polyester).

Anchor Base: Type 304 stainless steel machined to mate with shaft base plate with grounding connection and 2" FPT inlet. Supplied with 4, 3/4" x 12" x 3" anchor bolts with two leveling nuts and washers per bolt and wood pour template.

Gasket: 70 durometer EPDM o-ring.

Fasteners: Tamper-resistant 18/8 stainless steel.

Finish: Textured elastomeric urethane with a UV and chlorine resistant sealer coat.

Color: (Specify red, dark blue, light blue, yellow, green, orange, or purple.)

Optional Adders:

Wireless Activator Button (-SW)

Transmitter: Solid state with encoded signal and integral omni-directional antenna.

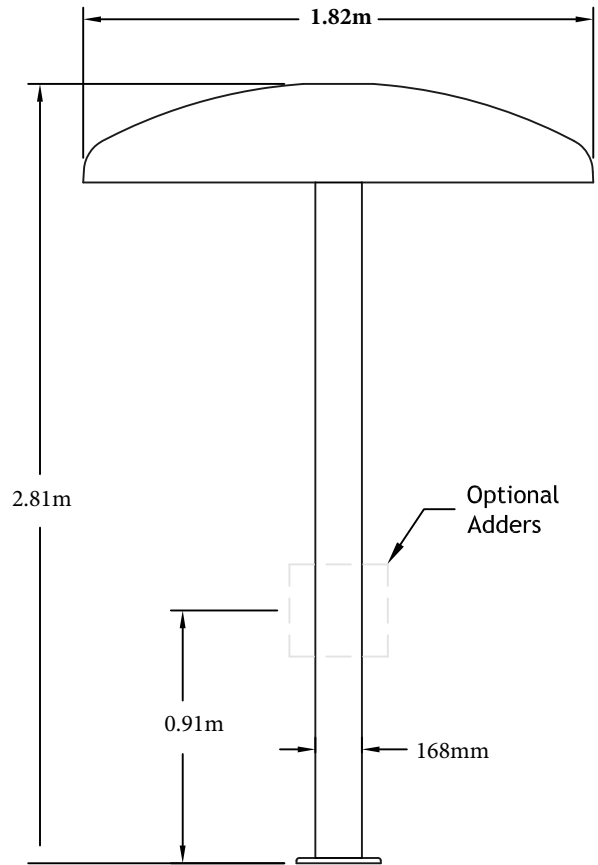
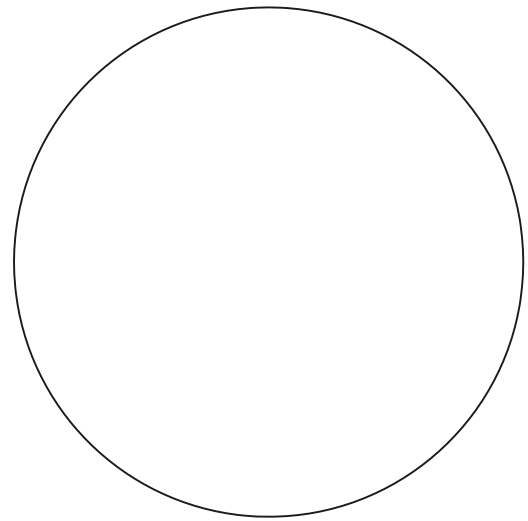
Activator Power: 3 VDC lithium battery (CR2477).

Wired Activator Button (-ST)

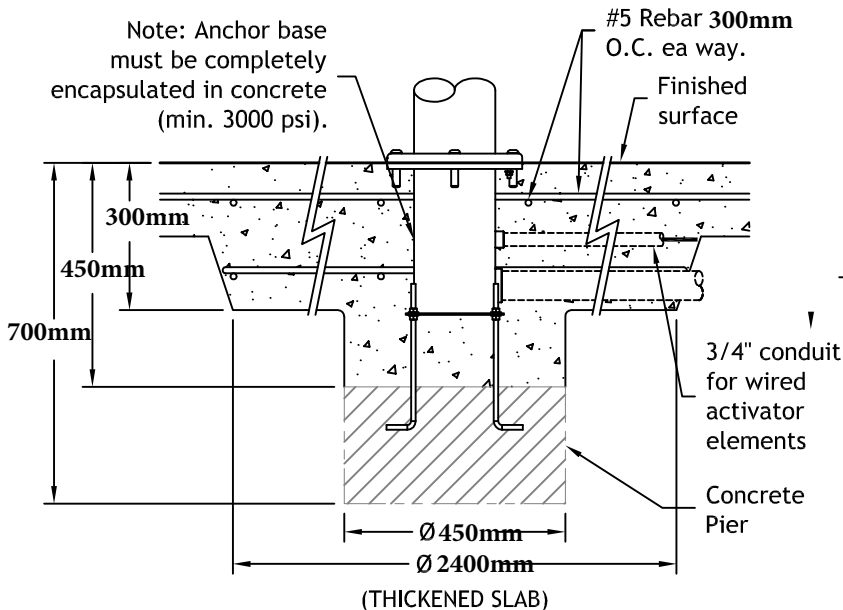
Activator Switch: 12 VDC.

Activator Cord: 45m of #18/2 type STOW, minimum 3/4" conduit recommended.

Hand Wheel (-HW): Stainless steel coated with a heavy-duty aliphatic urethane.



Anchor Base



Hydraulic Requirements

W007-F

LPM	psi
189-946	4



Under-Brella™ F