

Specifications

Model Number: W003

Interactive Water Effect: Shall be cooling mister nozzles around the circumference of the shaft.

Shaft: 4" type 304 stainless steel pipe with a triple bend and machined type 304 base plate.

Anchor Base: Type 304 stainless steel machined to mate with shaft base plate with grounding connection and 2" FPT inlet. Supplied with 4, 3/8" x 12" x 2" anchor bolts with two leveling nuts and washers per bolt and wood pour template.

Gasket: 70 durometer EPDM o-ring.

Fasteners: Tamper-resistant 18/8 stainless steel.

Finish: Textured elastomeric urethane with a UV and chlorine resistant sealer coat.

Color: (Specify red, dark blue, light blue, yellow, green, orange, or purple.)

Nozzles: 18 machined brass mist jets standard; 9 with water conserving version.

Optional Adders:

Wireless Activator Button (-SW)

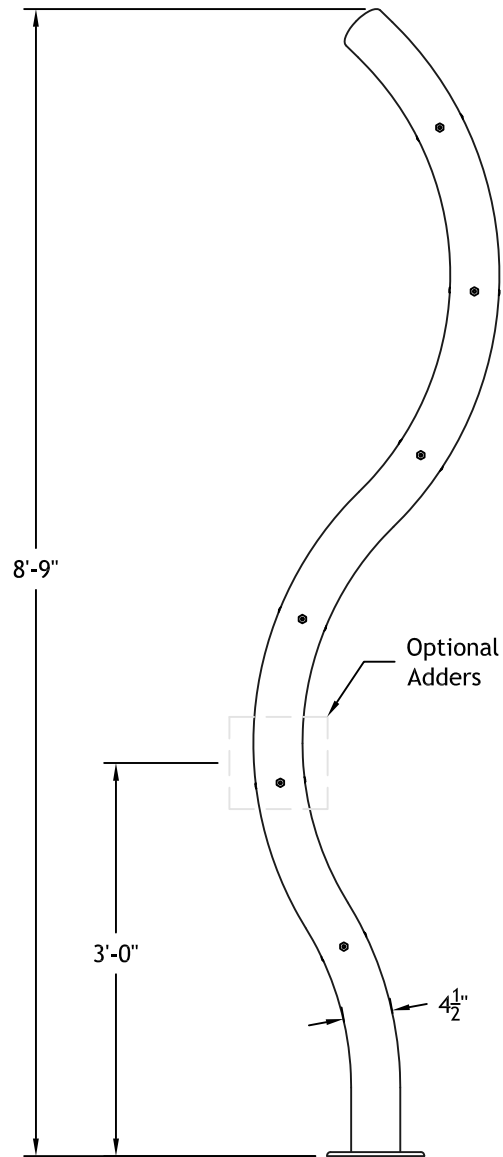
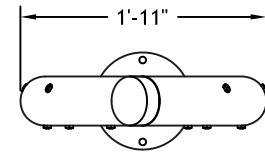
Transmitter: Solid state with encoded signal and integral omni-directional antenna.

Activator Power: 3 VDC lithium battery (CR2477).

Wired Activator Button (-ST)

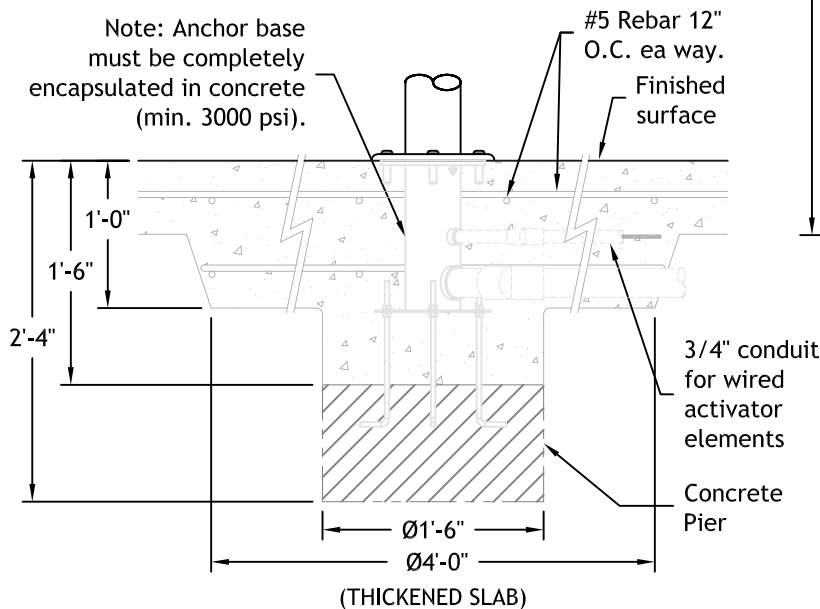
Activator Switch: 12 VDC.

Activator Cord: 150' of #18/2 type STOW, minimum 3/4" conduit recommended..



Anchor Base

Note: Anchor base must be completely encapsulated in concrete (min. 3000 psi).



Hydraulic Requirements

W003

GPM	psi
14	20

***W003C - Water Conserving Version**

*CGPM	*Cpsi
7	20



Curvy Cool™