

Specifications

Model Number: C031

Shaft: 4" type 304 stainless steel pipe with a machined type 304 base plate.

Anchor Base: Type 304 stainless steel machined to mate with shaft base plate with grounding connection and 2" FPT inlet. Supplied with 4, 3/8" x 12" x 2" anchor bolts with two leveling nuts and washers per bolt and wood pour template.

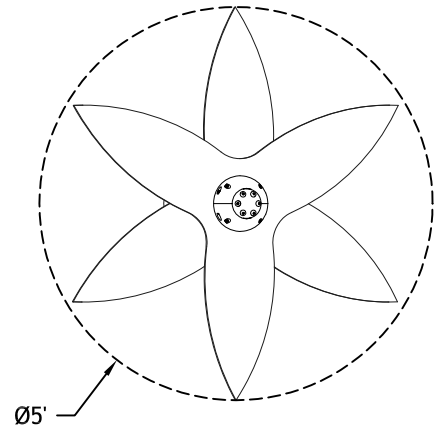
Gasket: 70 durometer EPDM o-ring.

Fasteners: Tamper-resistant 18/8 stainless steel.

Finish: Textured elastomeric urethane with a UV and chlorine resistant sealer coat.

Color Cast: A rigid urethane polymer intended for translucent color accents with resistance to chlorine and UV.

Nozzles: 6 machined stainless steel jet stream & 12 Magic Flow™ stainless steel jet streams.



Optional Adders:

Wireless Activator Button (-SW)

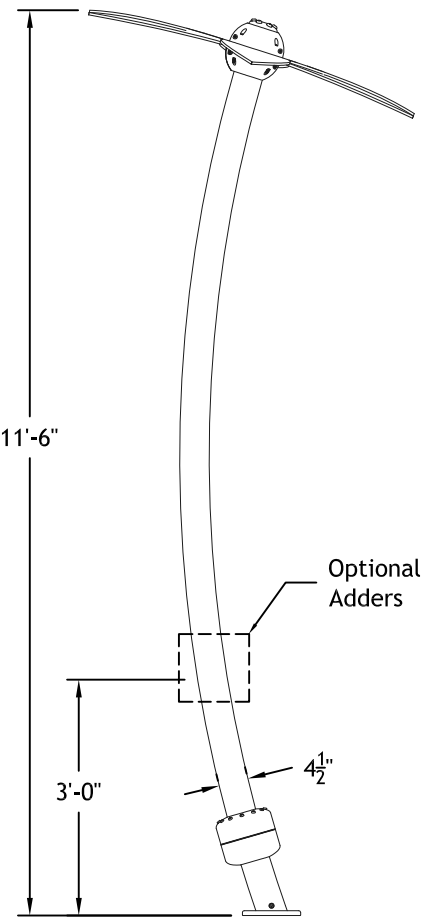
Transmitter: Solid state with encoded signal and integral omni-directional antenna.

Activator Power: 3 VDC lithium battery (CR2477).

Wired Activator Button (-ST)

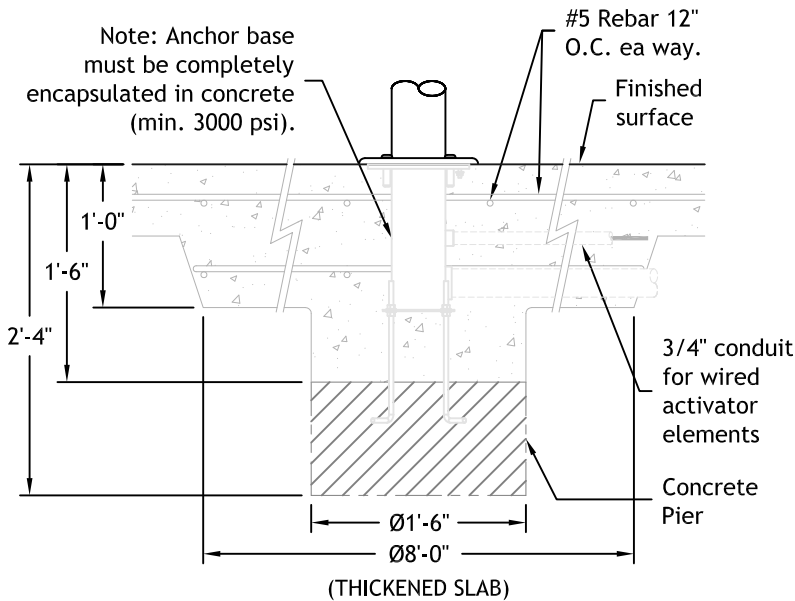
Activator Switch: 12 VDC.

Activator Cord: 150' of #18/2 type STOW, minimum 3/4" conduit recommended.



Anchor Base

Note: Anchor base must be completely encapsulated in concrete (min. 3000 psi).



Hydraulic Requirements

C031

GPM	psi
30	5



C031 Flowerette™