

Specifications

Model Number: C021

Shaft: 3" type 304 stainless steel pipe with a machined type 304 base plate.

Joint: Precision machined Delrin® flow control joint factory adjustable for 45°-360° directional flow.

Body: Type 304 stainless steel manifold housed in a vandal-resistant polymer body.

Anchor Base: Type 304 stainless steel pipe with top plate machined to mate with shaft base plate with grounding connection,, base plate, and 2" FPT inlet. Supplied with four 3/8" x 12" x 2" anchor bolts with two leveling nuts and washers per bolt, and wood template.

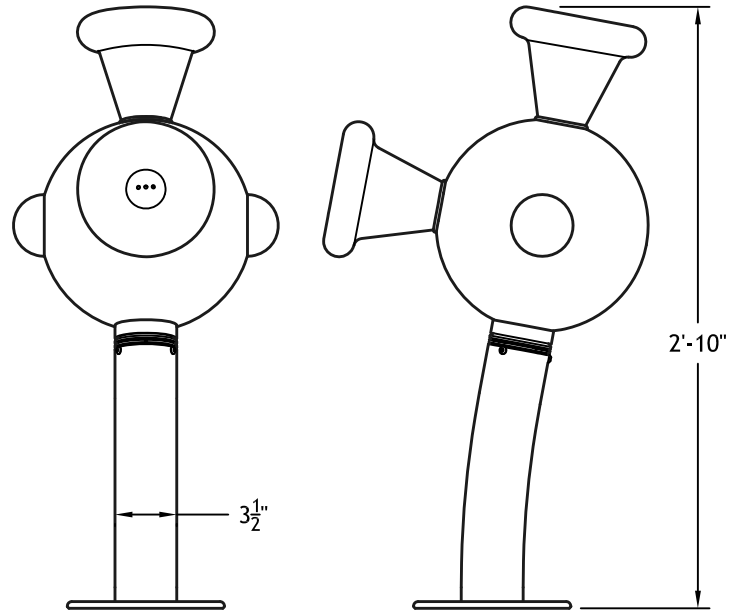
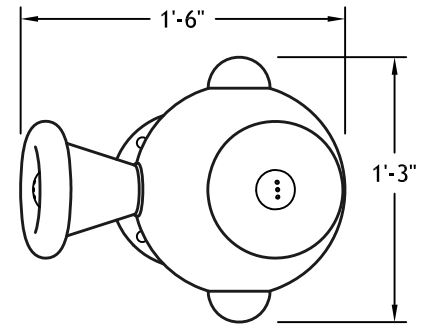
Gasket: 70 durometer EPDM o-ring.

Fasteners: Tamper-resistant 18/8 stainless steel.

Finish: Textured elastomeric urethane with a UV and chorine resistant sealer coat.

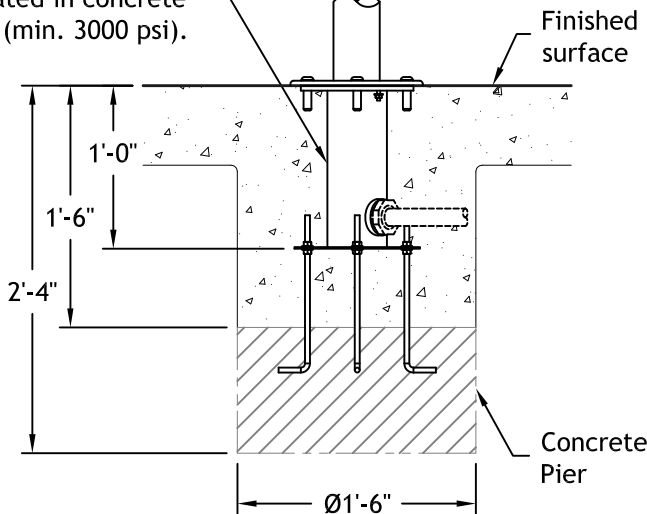
Color Cast: A rigid urethane polymer intended for translucent color accents with resistance to chlorine and UV.

Nozzle: Machined PVC spray nozzle.

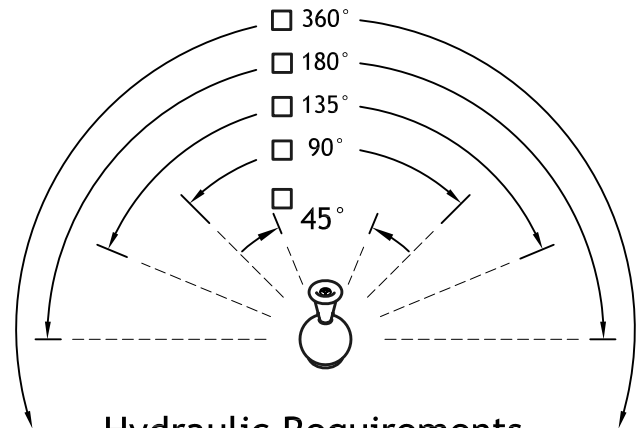


Anchor Base

Note: Anchor base must be completely encapsulated in concrete (min. 3000 psi).

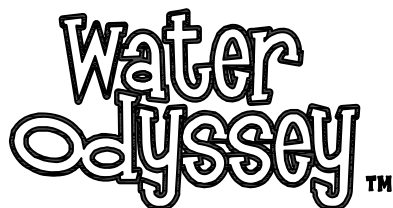


Splash Zone



Hydraulic Requirements

□ C021	Throw	GPM	psi
	6	6	3



C021 Tid Bit™