

Specifications

Model Number: C010

Shaft: 4" type 304 stainless steel pipe with a machined type 304 base plate.

Anchor Base: Type 304 stainless steel machined to mate with shaft base plate with grounding connection and 2" FPT inlet. Supplied with 4, 3/8" x 12" x 2" anchor bolts with two leveling nuts and washers per bolt and wood pour template.

Gasket: 70 durometer EPDM o-ring.

Fasteners: Tamper-resistant 18/8 stainless steel.

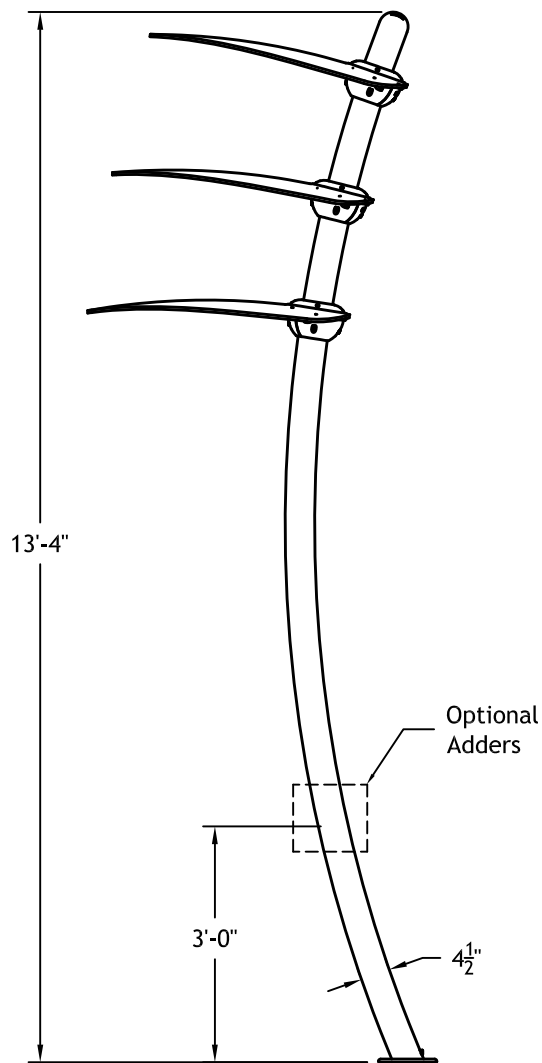
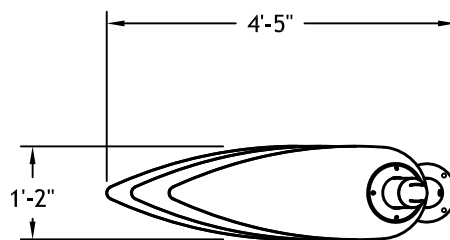
Finish: Textured elastomeric urethane with a UV and chlorine resistant sealer coat.

Nozzle: 2 stainless steel flat fan jets.

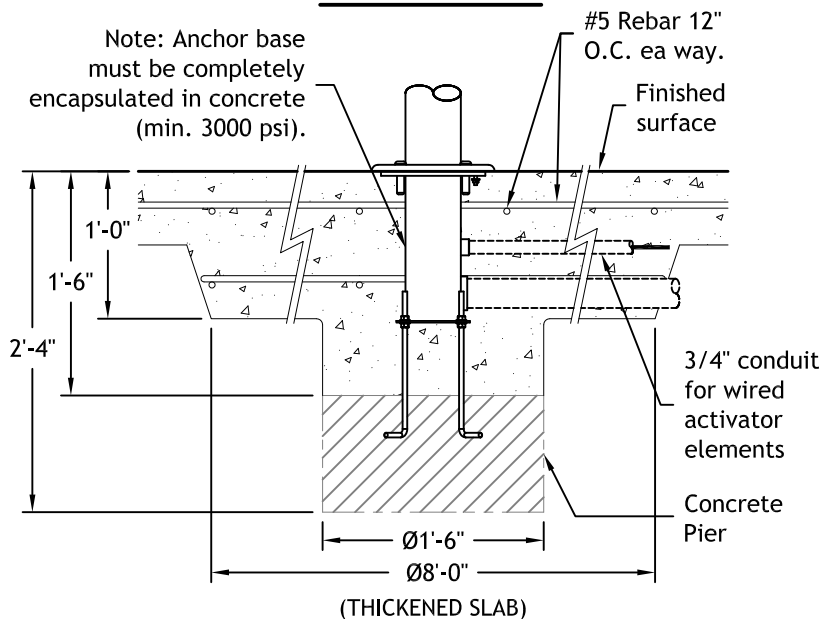
Color Cast: A rigid urethane polymer intended for translucent color accents with resistance to chlorine and UV.

Optional Adders:

- Wireless Activator Button (-SW)**
Transmitter: Solid state with encoded signal and integral omni-directional antenna.
Activator Power: 3 VDC lithium battery (CR2477).
- Wired Activator Button (-ST)**
Activator Switch: 12 VDC.
Activator Cord: 150' of #18/2 type STOW, minimum 3/4" conduit recommended.
- Flow Fluxuator:** Flow adjustment handwheel. (Adjusts flow from minimum flow to maximum flow without ever shutting off completely, avoiding water hammer effect)



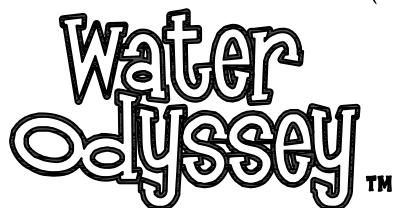
Anchor Base



Hydraulic Requirements

C010

| GPM | psi |
|-----|-----|
| 40 | 8 |



C010 Ridgeback™