

Specifications

Model Number: C006

Shaft: 3" type 304 stainless steel pipe with a machined type 304 base plate.

Anchor Base: Type 304 stainless steel machined to mate with shaft base plate with grounding connection and 2" FPT inlet. Supplied with 4, 3/8" x 12" x 2" anchor bolts with two leveling nuts and washers per bolt and wood pour template.

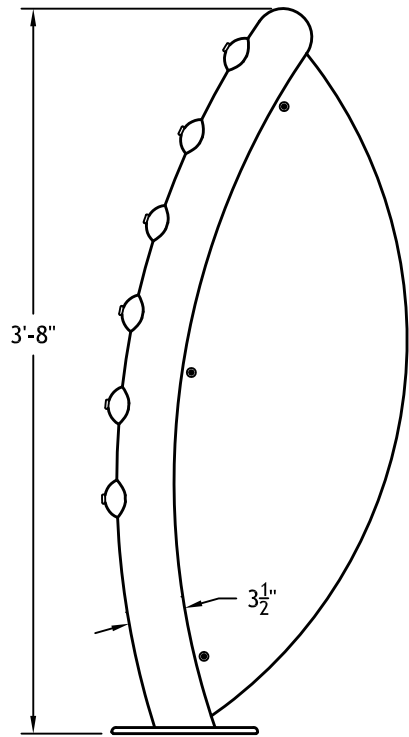
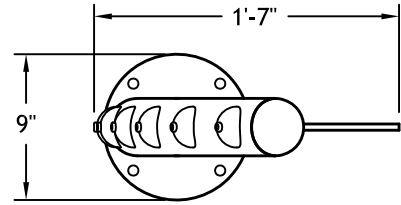
Gasket: 70 durometer EPDM o-ring.

Fasteners: Tamper-resistant 18/8 stainless steel.

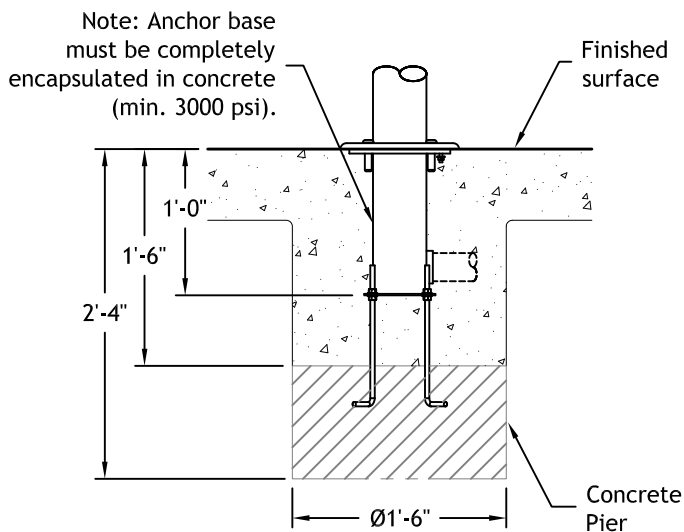
Finish: Textured elastomeric urethane with a UV and chlorine resistant sealer coat.

Color Cast: A rigid urethane polymer intended for translucent color accents with resistance to chlorine and UV.

Nozzles: 6 Magic Flow™ stainless steel jet streams.



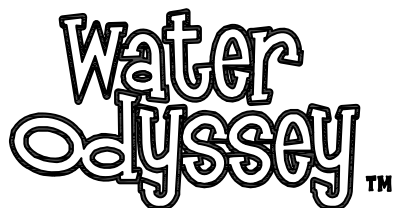
Anchor Base



Hydraulic Requirements

□ C006

GPM	psi
12	3



C006 Split Pea™