

Specifications

Model Number: C004

Shaft: 3" type 304 stainless steel pipe with a machined type 304 base plate.

Anchor Base: Type 304 stainless steel machined to mate with shaft base plate with grounding connection and 2" FPT inlet. Supplied with 4, 3/8" x 12" x 2" stainless steel anchor bolts with two leveling nuts and washers per bolt and wood pour template.

Gasket: 70 durometer EPDM o-ring.

Fasteners: Tamper-resistant 18/8 stainless steel.

Finish: Textured elastomeric urethane with a UV and chlorine resistant sealer coat.

Color Cast: A rigid urethane polymer intended for translucent color accents with resistance to chlorine and UV.

Nozzles: 8 machined stainless steel jet stream.

Options:

- Wireless Activator Button (-SW)**

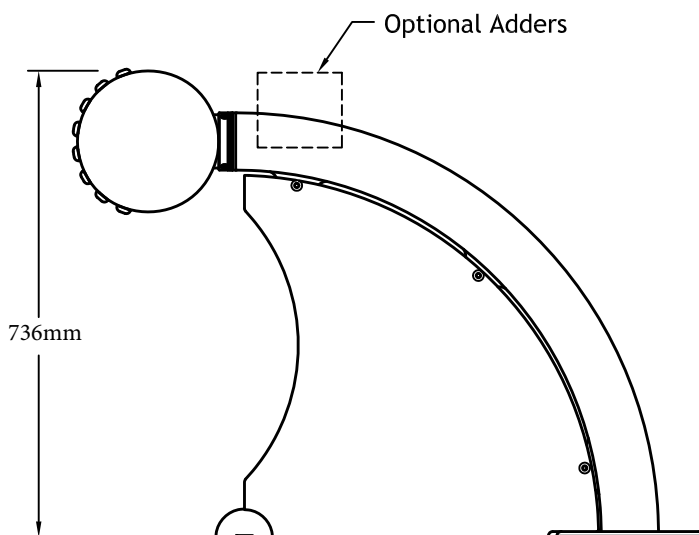
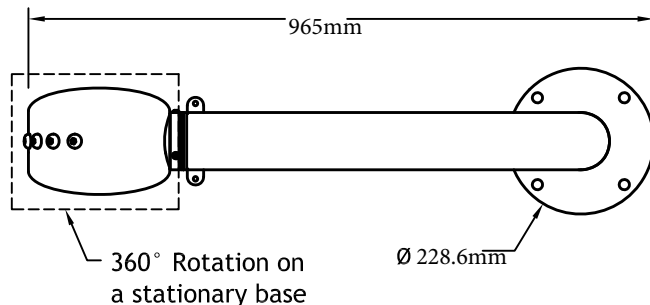
Transmitter: Solid state with encoded signal and integral omni-directional antenna.

Activator Power: 3 VDC lithium battery (CR2477).

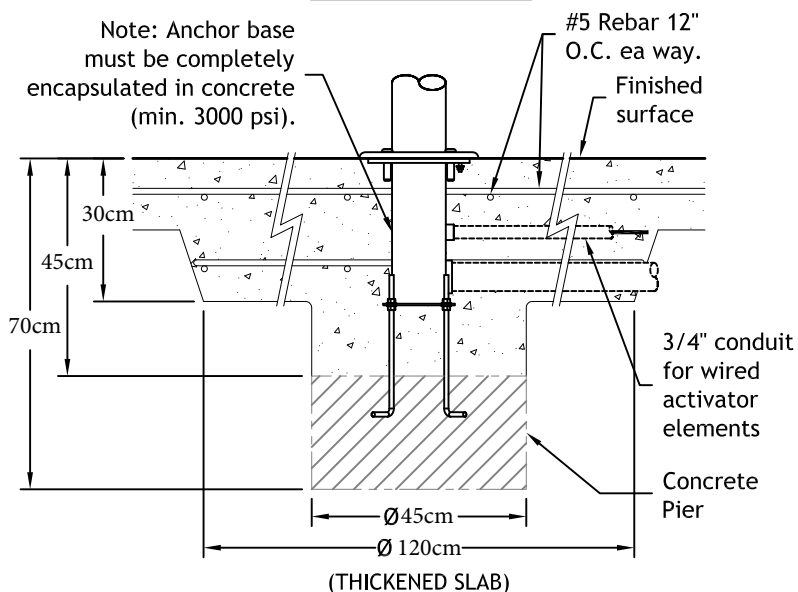
- Wired Activator Button (-ST)**

Activator Switch: 12 VDC.

Activator Cord: 45m of #18/2 type STOW, minimum 3/4" conduit recommended.



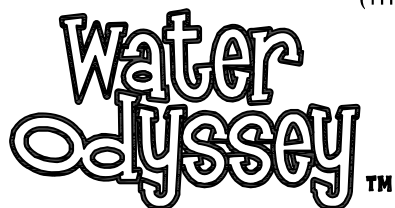
Anchor Base



Hydraulic Requirements

- C004

LPM	psi
30	3



C004 Twinkle Twist™