

# Specifications

**Model Number:** C003

**Shaft:** 4" type 304 stainless steel pipe with a machined type 304 base plate.

**Anchor Base:** Type 304 stainless steel machined to mate with shaft base plate with grounding connection and 2" FPT inlet. Supplied with 4, 3/8" x 12" x 2" anchor bolts with two leveling nuts and washers per bolt and wood pour template.

**Gasket:** 70 durometer EPDM o-ring.

**Fasteners:** Tamper-resistant 18/8 stainless steel.

**Finish:** Textured elastomeric urethane with a UV and chlorine resistant sealer coat.

**Nozzles:** 10 machined stainless steel jet stream.

**Color Cast:** A rigid urethane polymer intended for translucent color accents with resistance to chlorine and UV.

**Optional Adders:**

**Wireless Activator Button (-SW)**

Transmitter: Solid state with encoded signal and integral omni-directional antenna.

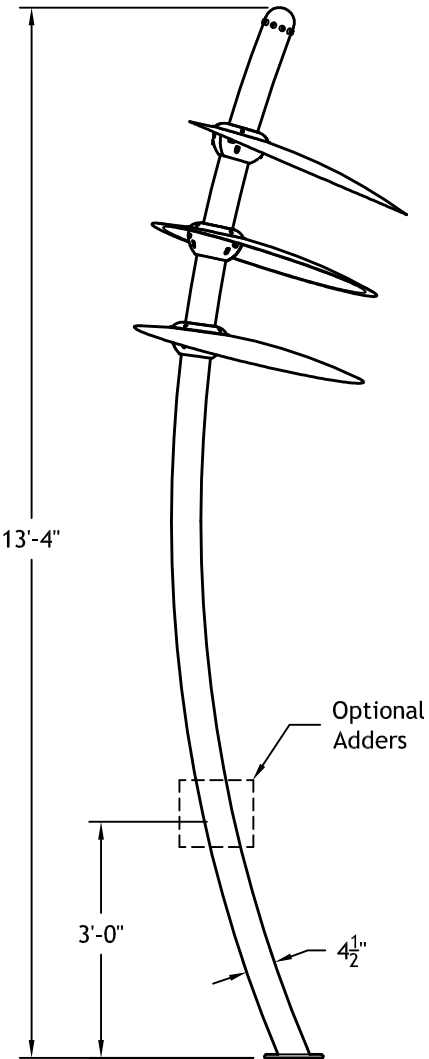
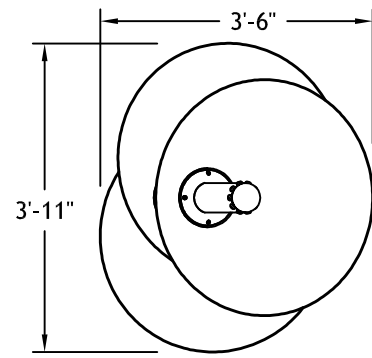
Activator Power: 3 VDC lithium battery (CR2477).

**Wired Activator Button (-ST)**

Activator Switch: 12 VDC.

Activator Cord: 150' of #18/2 type STOW, minimum 3/4" conduit recommended.

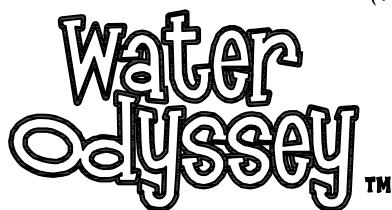
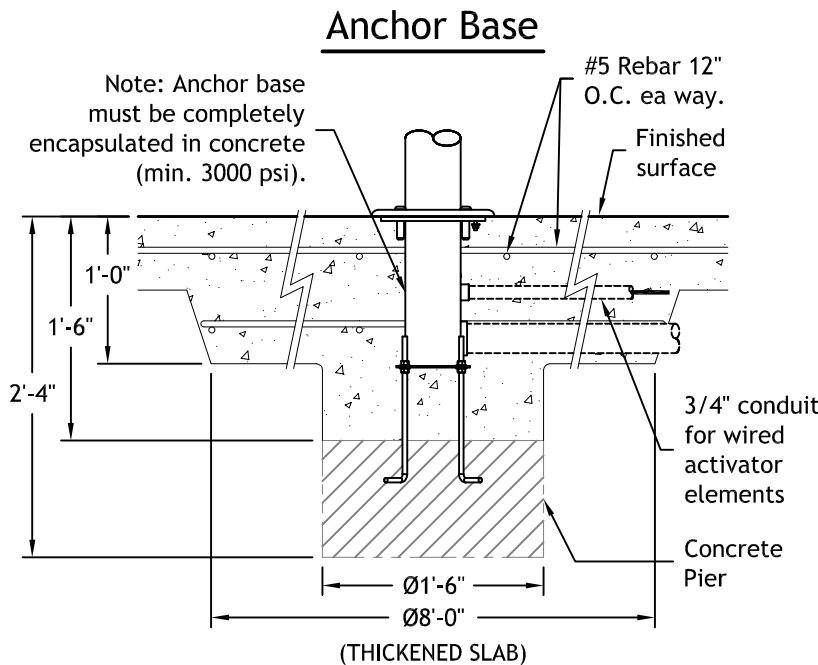
**Flow Fluxuator:** Flow adjustment handwheel. (Adjusts flow from minimum flow to maximum flow without ever shutting off completely, avoiding water hammer effect)



## Hydraulic Requirements

C003

GPM	psi
15	6



# C003 Orbit™