

# Specifications

**Model Number:** C002

**Shaft:** 4" type 304 stainless steel pipe with a machined type 304 base plate.

**Arm:** 3" type 304 stainless steel pipe.

**Anchor Base:** Type 304 stainless steel machined to mate with shaft base plate with grounding connection and 2" FPT inlet. Supplied with 4, 3/8" x 12" x 2" anchor bolts with two leveling nuts and washers per bolt and wood pour template.

**Gasket:** 70 durometer EPDM o-ring.

**Fasteners:** Tamper-resistant 18/8 stainless steel.

**Finish:** Textured elastomeric urethane with a UV and chlorine resistant sealer coat.

**Color Cast:** A rigid urethane polymer intended for translucent color accents with resistance to chlorine and UV.

**Optional Adders:**

**Wireless Activator Button (-SW)**

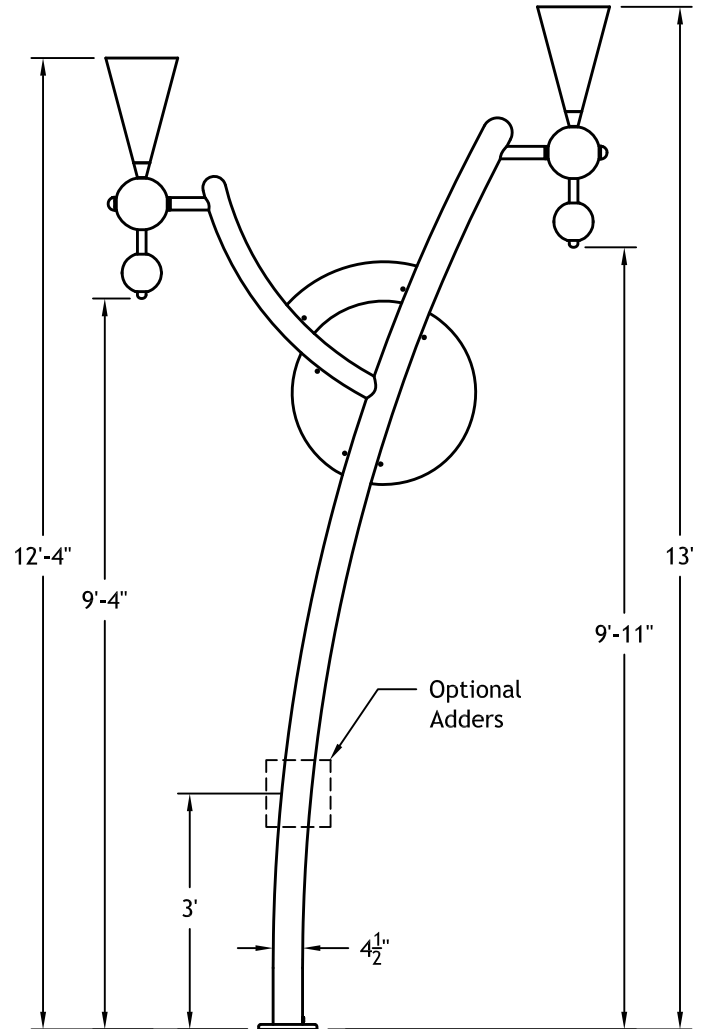
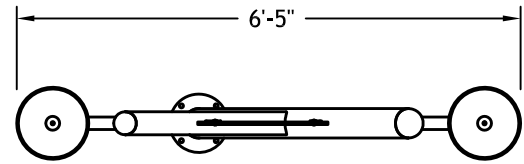
Transmitter: Solid state with encoded signal and integral omni-directional antenna.

Activator Power: 3 VDC lithium battery (CR2477).

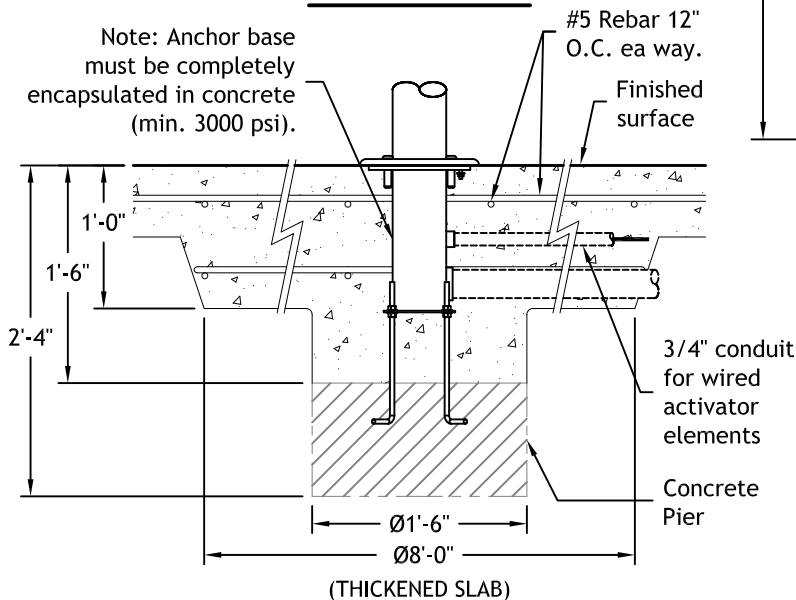
**Wired Activator Button (-ST)**

Activator Switch: 12 VDC.

Activator Cord: 150' of #18/2 type STOW, minimum 3/4" conduit recommended.



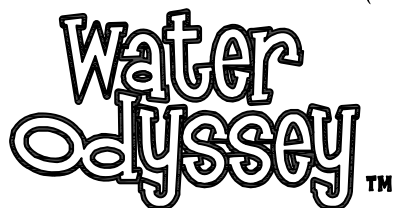
## Anchor Base



## Hydraulic Requirements

**C002**

GPM	psi
15	8



# C002 Fling Bucket™